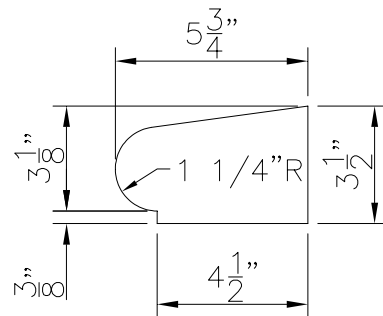
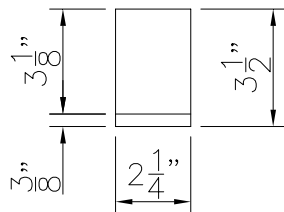
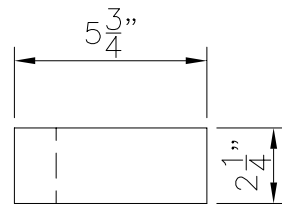
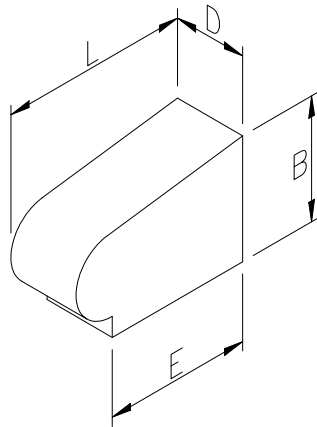


	M/S	E/M	Q/S
L	5 3/4"	5 3/4"	5 3/4"
D	2 1/4"	2 3/4"	2 3/4"
B	3 1/2"	3 1/2"	3 1/2"
E	4 1/2"	4 1/2"	4 1/2"



THE DETAILS AND DATA CONTAINED IN THIS LITERATURE ARE FOR INFORMATION ONLY. ALL DESIGNS AND DETAILS USED IN CONSTRUCTION MUST BE REVIEWED, APPROVED AND SEALED BY A REGISTERED PROFESSIONAL ENGINEER. NO WARRANTIES (EXPRESS, IMPLIED OR STATUTORY) ARE MADE IN CONNECTION WITH THE STRUCTURAL DETAILS AND DATA CONTAINED HEREIN.