

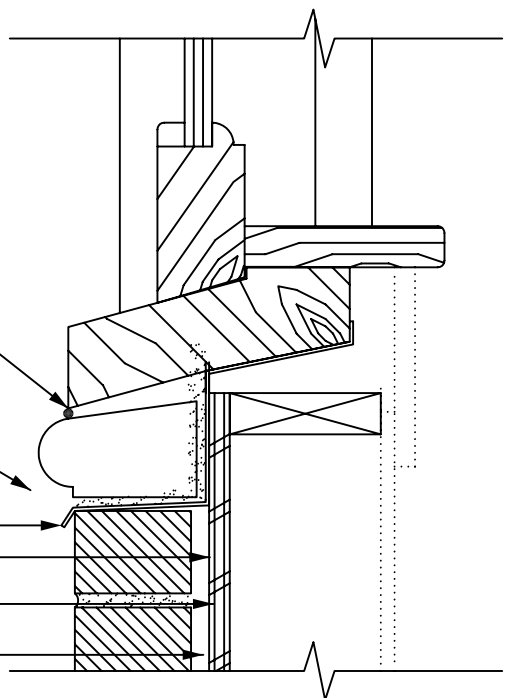
PROVIDE MIN 3/8" GAP
AROUND TO ALLOW
MOVEMENT CAULK GAP

SILL SHAPE
W/ MIN 15° SLOPE

FLASHING
SHEATHING

#15 FELT OR BUILDING WRAP

1 IN. MIN. AIR SPACE



BRICK VENEER SILL DETAIL

THE DETAILS AND DATA CONTAINED IN THIS LITERATURE ARE FOR INFORMATION ONLY. ALL DESIGNS AND DETAILS USED IN CONSTRUCTION MUST BE REVIEWED, APPROVED AND SEALED BY A REGISTERED PROFESSIONAL ENGINEER. NO WARRANTIES (EXPRESS, IMPLIED OR STATUTORY) ARE MADE IN CONNECTION WITH THE STRUCTURAL DETAILS AND DATA CONTAINED HEREIN.