

Technical Bulletin – Custom Corner Shape Designs

Custom Shapes

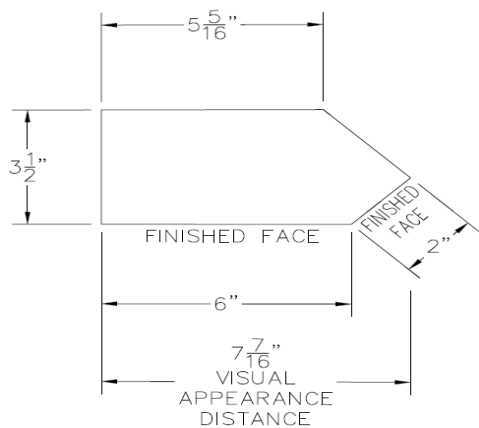
Sometimes, standard brick shapes simply aren't enough to achieve the vision of a project. Complex architectural elements or unique design challenges often require custom solutions to ensure the perfect balance of form, function, and appearance. Custom shapes are the answer when a project demands bricks that not only fit but elevate the overall design, harmonizing structural integrity with aesthetic appeal.

Corner Shapes

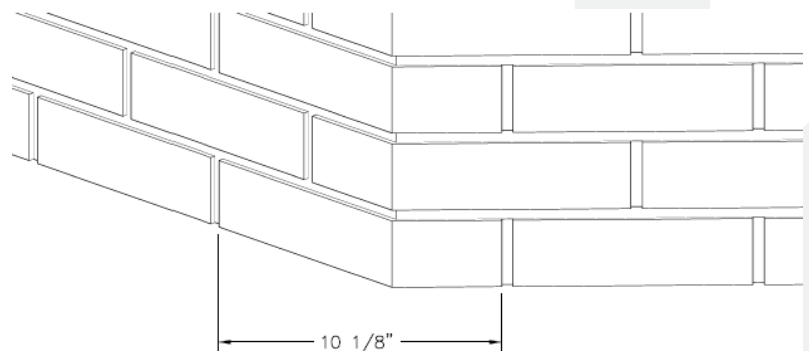
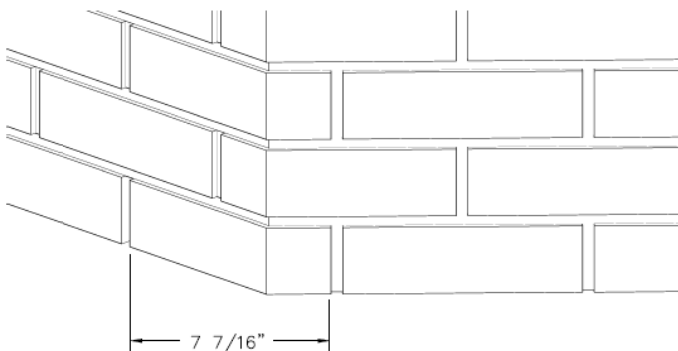
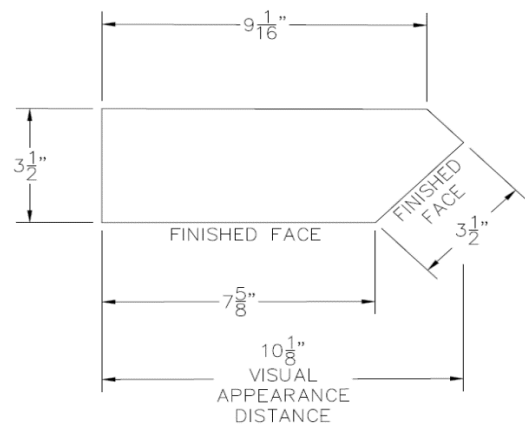
When designing a corner that deviates from the standard 90°, General Shale offers special shapes to accommodate these designs. The most common designs for an external corner are 135° and 120°, however custom shapes can be made for any corner degree. When designing the external corner, it's essential to consider the final appearance of the brick in the wall and the cost of the special shape.

Seeing the example below, requests often come in for external corners with 7 5/8-inch and 3 1/2 or 3 5/8-inch legs. However, this design results in a visible face exceeding 10 inches when installed, creating a noticeable inconsistency when transitioning back to the coursing of standard modular brick. On the other hand, designing the corner brick with 6-inch and 2-inch legs maintains a visual appearance close to 7 5/8 inches, ensuring a seamless look that matches the rest of the wall. Additionally, the 6-inch and 2-inch design offers significant cost savings, as it aligns with existing manufacturing setups.

Correct



Incorrect



The information contained herein is believed to be reliable, but no representations, guarantees or warranties of any kind are made as to its accuracy, suitability for particular applications or the results to be obtained. Because of the variations in methods, conditions and equipment used in various forms of masonry installing, cleaning, and / or repairing, no warranties or guarantees are made as to the suitability of the products for the applications disclosed. GENERAL SHALE BRICK, INC. shall not be liable for and the customer assumes all risk and liability for any use or handling of any material beyond GENERAL SHALE BRICK, INC. direct control. The SELLER MAKES NO WARRANTIES, EXPRESS OR IMPLIED, INCLUDING, BUT NOT LIMITED TO, THE IMPLIED WARRANTIES OF MERCHANTABILITY AND FITNESS FOR A PARTICULAR PURPOSE. Please consult a building professional before installing, cleaning or repairing any masonry product.