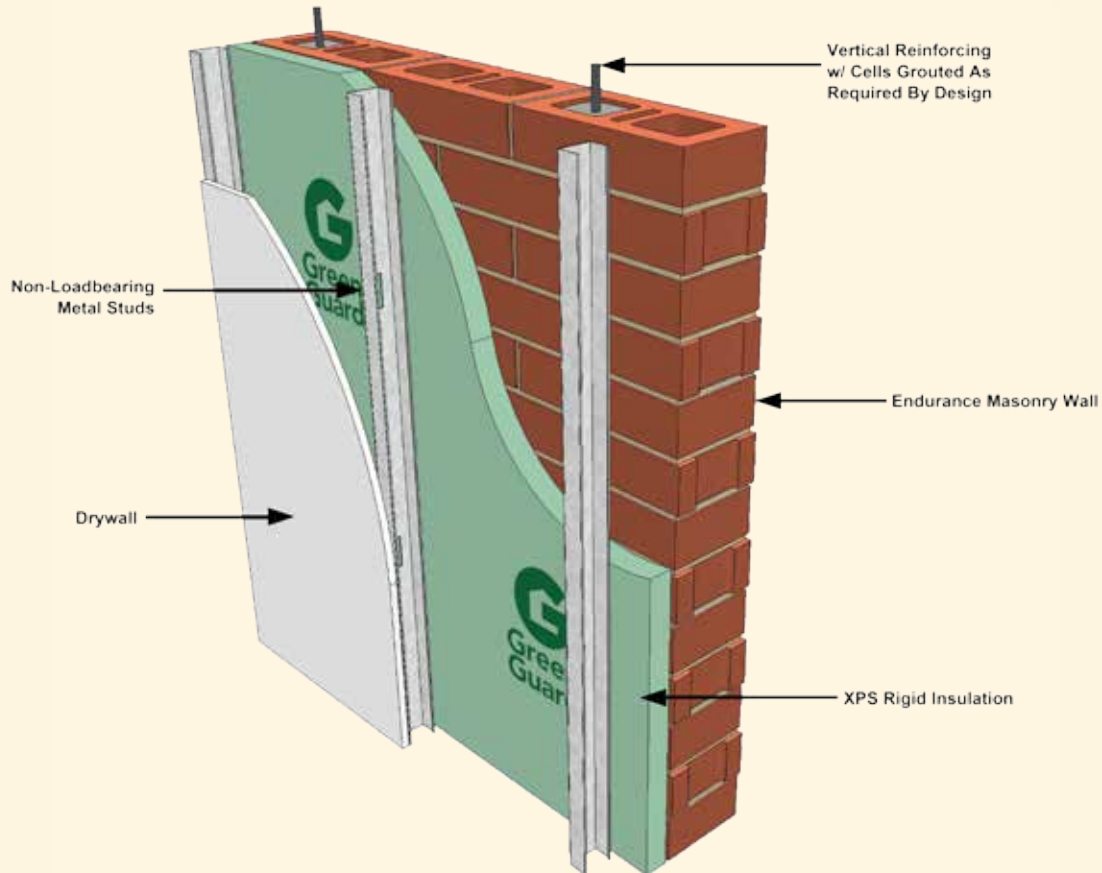


Endurance RS4™ Structural Brick

A Different Way to Build

One Wall Advantage

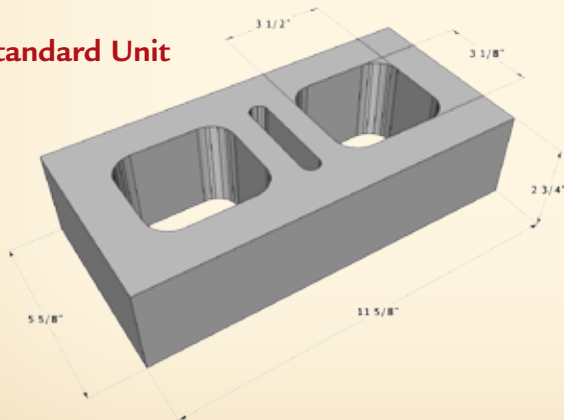
The featured diagram demonstrates an interior wall treatment using Endurance Structural Brick combined with continuous insulation. This combination dramatically increases the structures energy efficiency while decreasing the overall cost of construction by building one exterior wall rather than two.



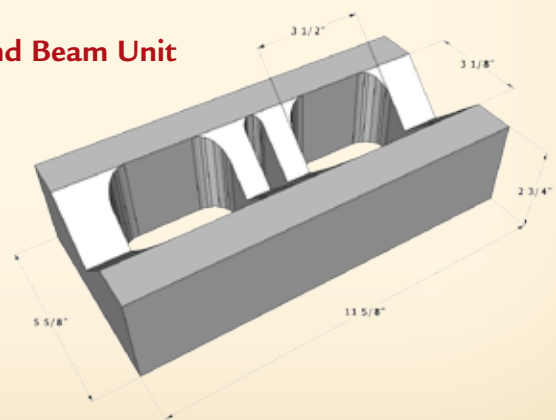
Unit Size & Specifications

Endurance Structural Brick units comply with ASTM C652, Type HBS Class 40V, Grade SW and are manufactured in a variety of colors. It is available in a standard unit size measuring $2\frac{3}{4}''$ H x $11\frac{5}{8}''$ L x $5\frac{5}{8}''$ D and a bond beam unit.

Standard Unit



V Bond Beam Unit



Endurance RS4™ Structural Brick

A Different Way to Build



Product Description

The RS4 stands for “Real Strong, Real Safe, Real Sustainable, Real Smart” - the 4 Rs. Endurance RS4 Brick is safer, stronger, more energy efficient and sustainable, and is designed for structural longevity. This product eliminates the need for load-bearing wood or steel framing and has excellent thermal mass properties. In addition, the product is suitable for any type of foundation, withstands higher loads and meets seismic requirements. It is the perfect solution for homes, especially in areas prone to high winds, tornadoes and earthquakes. It is also recommended for important commercial or government buildings, such as hospitals, schools, courthouses and police stations.



A Proven Wall System

Larger engineering and utility size bricks have been used for reinforced masonry for many years. Endurance Structural Brick uses this same proven engineering, but adds a more pleasing and practical scale. Additional proven wall benefits provided by Endurance Structural Brick are:

- Eliminates the need for wood or steel framing
- Withstands higher loads
- Applicable with any type of foundation
- Applicable with standard windows & doors
- Meets all seismic requirements
- No new skills needed for construction
- Special shapes readily available
- Early “curb appeal” for faster resale
- Creates more floor space per dollar spent

Thermal Mass Properties

Endurance wall systems can be used in conjunction with any type of interior wall construction (e.g. furring strips, non-load bearing metal studs, hat channel etc.) and insulation systems. One of the most efficient methods, both in terms of costs and energy savings, is one using continuous rigid insulation, reducing thermal bridging, making Endurance Structural Brick one of the most energy efficient building materials in the industry.

Fire Resistance

Fire resistance ratings for Endurance Structural Brick are based on the equivalent thickness of the unit and Table 722.4.1 (1) of the International Building Code (IEC) 2013 Edition. The results are as follows:

<u>Configuration</u>	<u>Equivalent Thickness</u>	<u>Fire Resistance Period</u>
Hollow Unit	3.93 inches	2 hours
Unit filled with solid grout, perlite or vermiculite	5.625 inches	3 hours