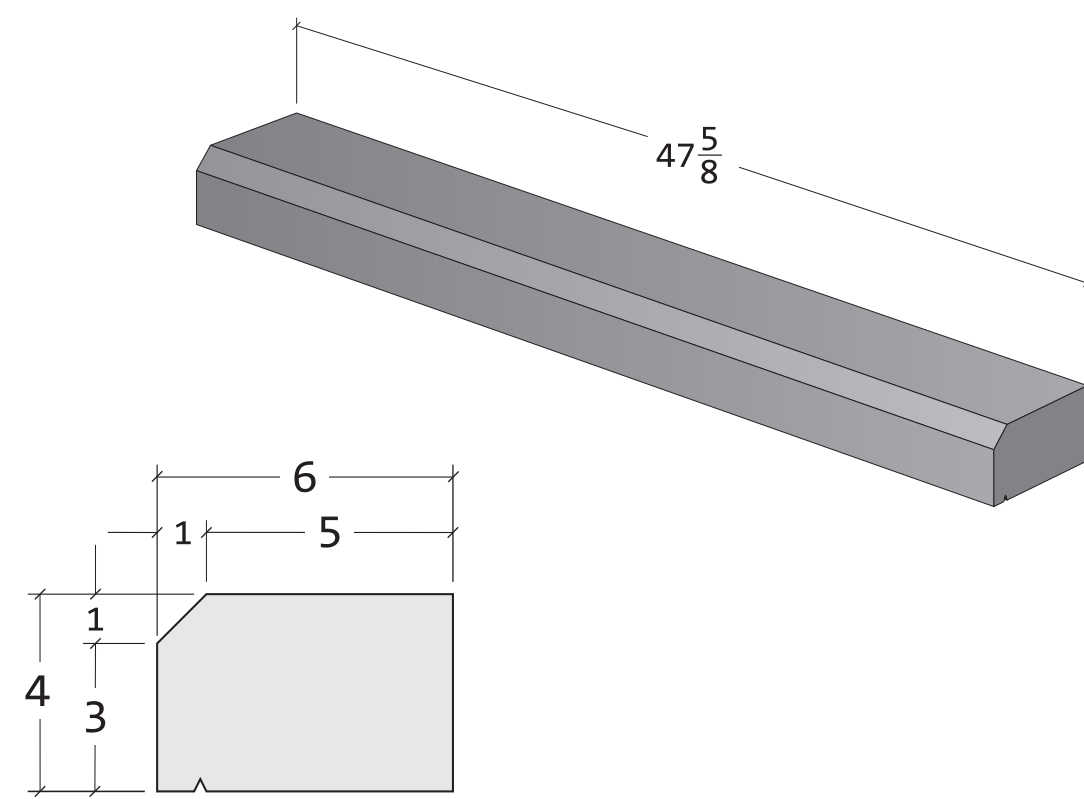


Sills



**Custom profiles available on request with minimum order quantity.*

The Stone Detailing advantages:

- Integral water repellent imparts low, controlled absorption.
- Glass fiber reinforcing for strong edges, optimal flexural strength, and low shrinkage.
- Fine-grained finish.
- Severe weathering units, meeting the requirements of ASTM C1364, Standard Specifications for Architectural Cast Stone.
- Stone Detailing covered by our unique Lifetime Product Warranty.



Stone Detailing

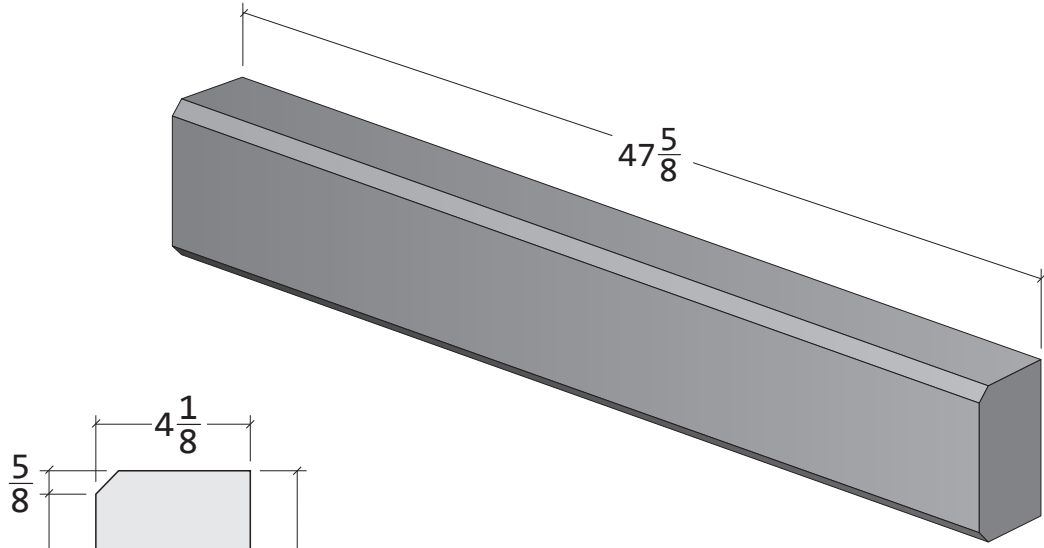
by **Canada Brick**



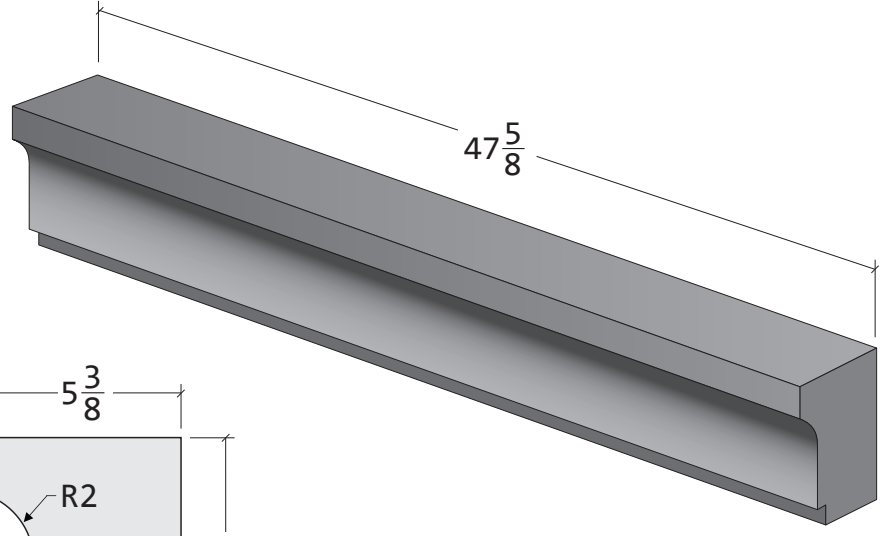
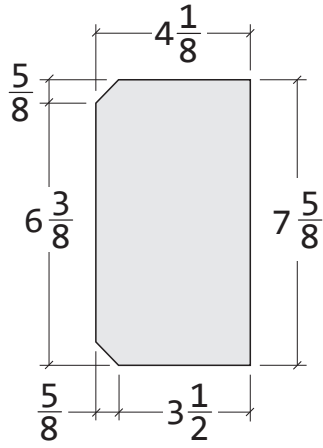
Standard Stock Profiles

Surrounds/Banding

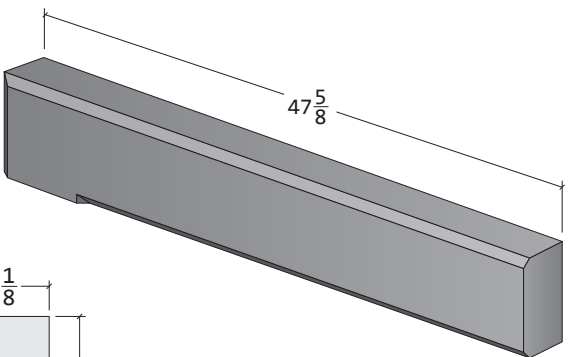
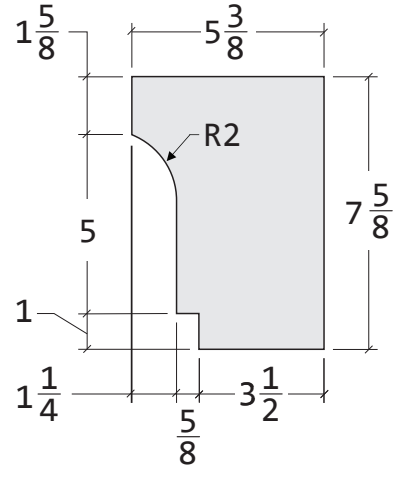
Colour: White



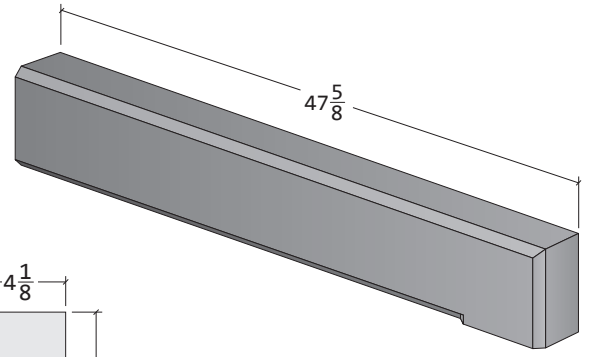
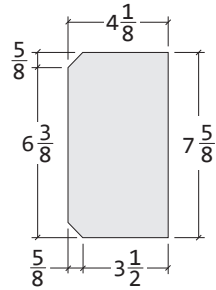
Stretcher



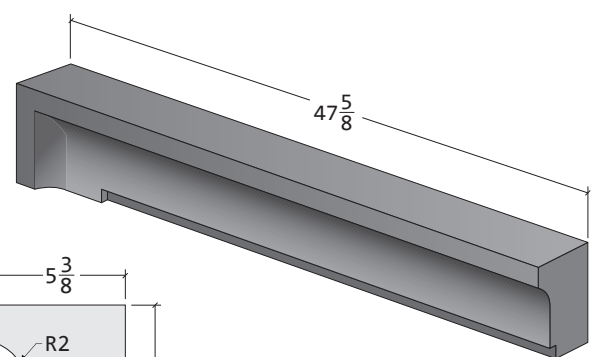
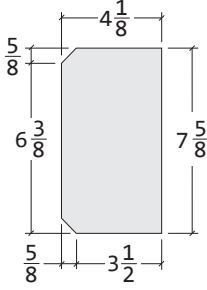
Stretcher



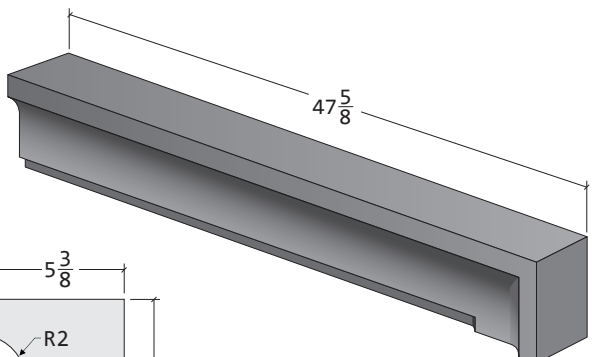
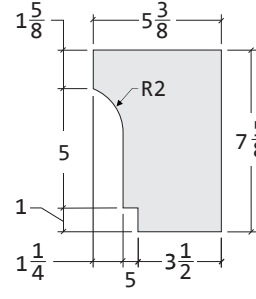
Left Return



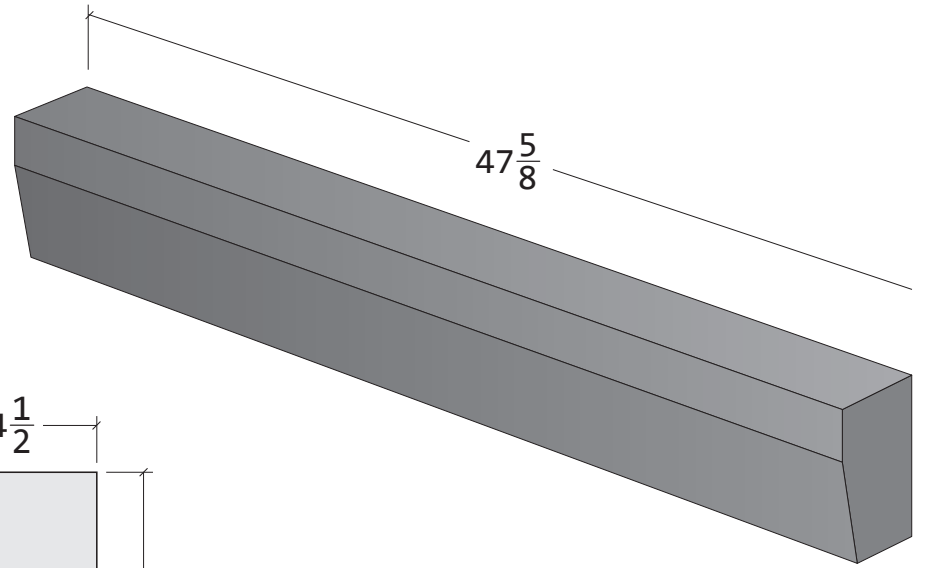
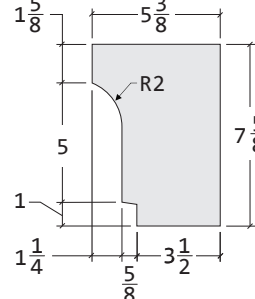
Right Return



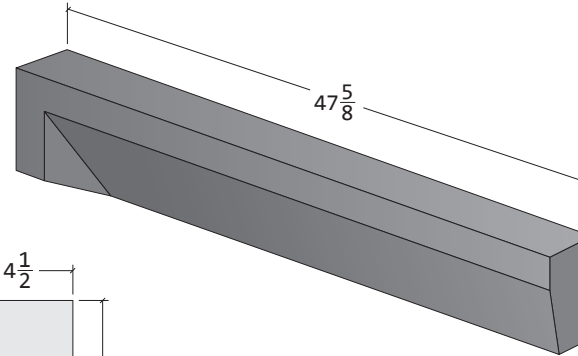
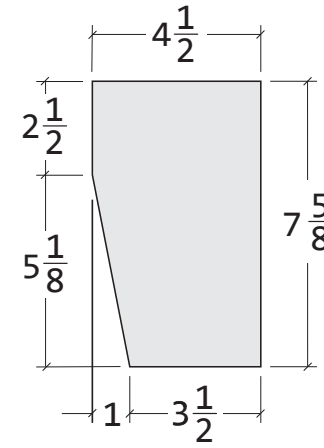
Left Return



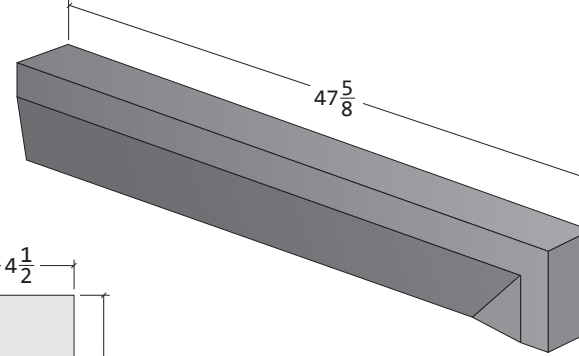
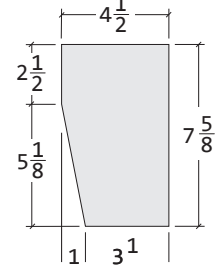
Right Return



Stretcher



Left Return



Right Return

