



Sills that make a statement
with beauty and strength.

Glacial Sill with Adair® Studio

Introducing our new Adair® Limestone Sills

Our new Adair® Limestone sills complement our line of Adair® Building Stone products, as well as our Arriscraft Manufactured Stone products.

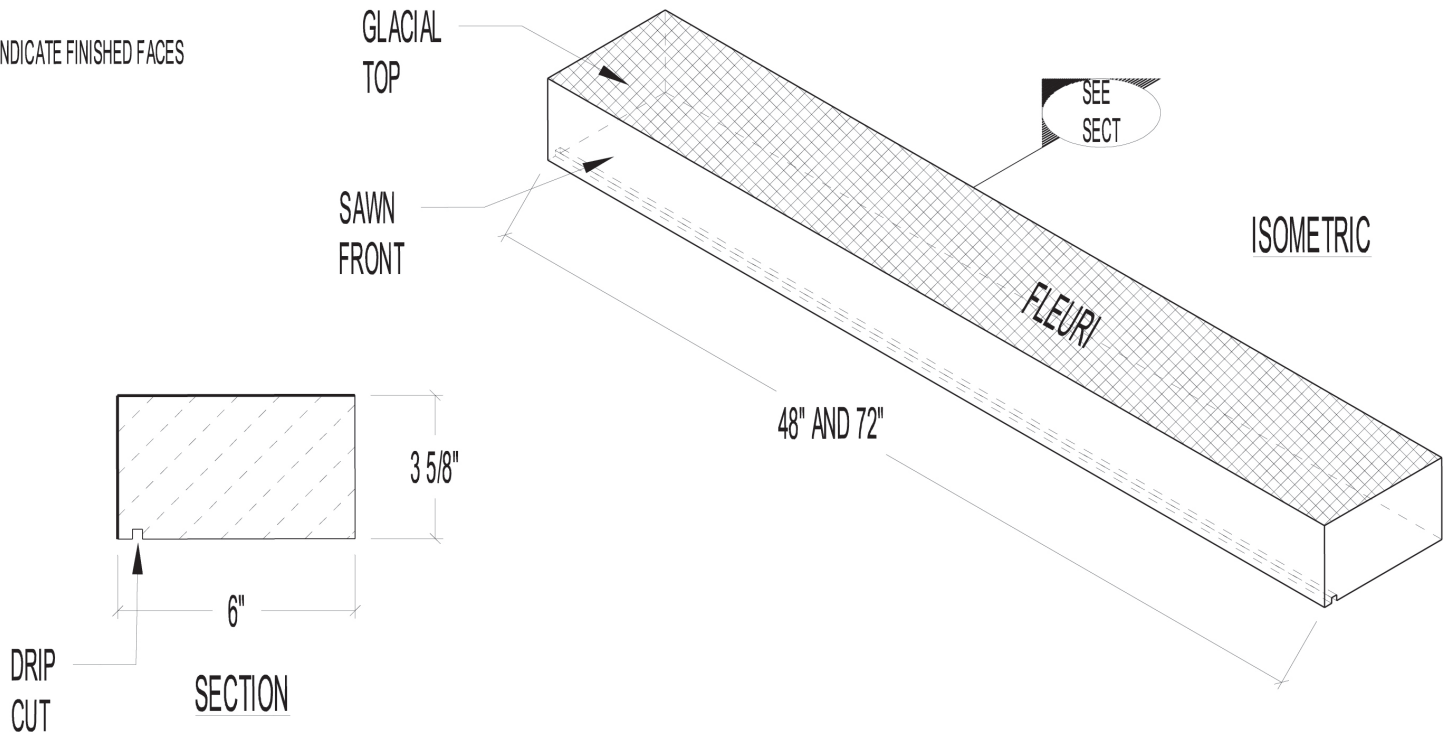
- The nature of quarried stone allows us to create versatile longer length sills that can provide functionality and beauty in a variety of different applications, such as under windows & doors, transition between different claddings, banding, etc.
- Our Class 3 dolomitic limestone is extremely durable and impervious to many of nature's harshest conditions.



Glacial Sill with Adair® Georgian Blend

Adair® Limestone Sills

NOTES:
1. HEAVY LINES INDICATE FINISHED FACES



Product Details:

Colour:

Sepia

Finish:

Face: Sawn

Top: Glacial

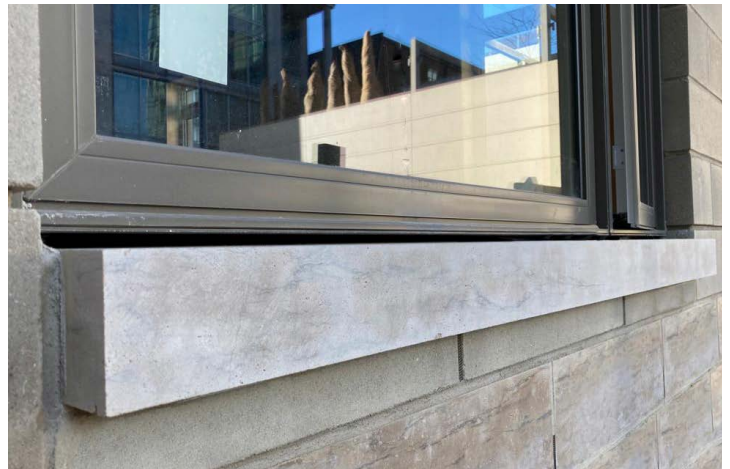
Dimensions:

Length: 48" (4 feet) and 72" (6 feet)

Height: 3-5/8"

Depth: 6"

*Custom lengths of up to 96" (8 feet)
available upon request.*



Glacial Sill with Renaissance® and Adair® Masonry Units