

# Thin-Clad Profile Guide

# Notes

---

## SHAPES AND SIZES

Thin-Clad Renaissance® Units are available in a variety of standard sizes in two unique systems:

### ARRIS•tile Renaissance® Units

CODE	HEIGHT	LENGTH	BED*
RS358 TILE	3-5/8"	23-5/8"	3/4"
RS758 TILE	7-5/8"	23-5/8"	3/4"
RS115 TILE	11-5/8"	23-5/8"	3/4"

\*Due to the allowable weight restrictions of 15 lbs/ft<sup>2</sup> for adhered units, the thickness of the ARRIS•tile units is limited to a maximum of 3/4" with rocked finish and 1-3/8" with smooth finish.

### ARRIS•clip Renaissance® Units

CODE	HEIGHT	LENGTH	BED
RS358 CLIP	3-5/8"	23-5/8"	1-3/8"
RS758 CLIP	7-5/8"	23-5/8"	1-3/8"
RS115 CLIP	11-5/8"	23-5/8"	1-3/8"

Corner units with 3-5/8" returns can be provided for smooth and rocked finishes for each of the Thin-Clad Renaissance® Unit systems. Return corner units are 22-7/8" long. Additional custom shapes and sizes are available, up to a maximum length of 23-5/8" and face rise of 11-5/8".

Contact your local Arriscraft representative or dealer for additional information.

## GENERAL NOTES

For applicable tolerances and further information refer to 09300 - Thin Calcium Silicate Masonry Units.

Certain applications may require an engineered anchoring system for support. Refer to ARRISCRAFT.NOTES, Connectors, Part I & II.

ARRIS•tile and ARRIS•clip Renaissance® Units must be installed using industry recommended materials and techniques and conform to all related building requirements.

Proper care, installation and cleaning are required for warranty validation.

# Table of Contents

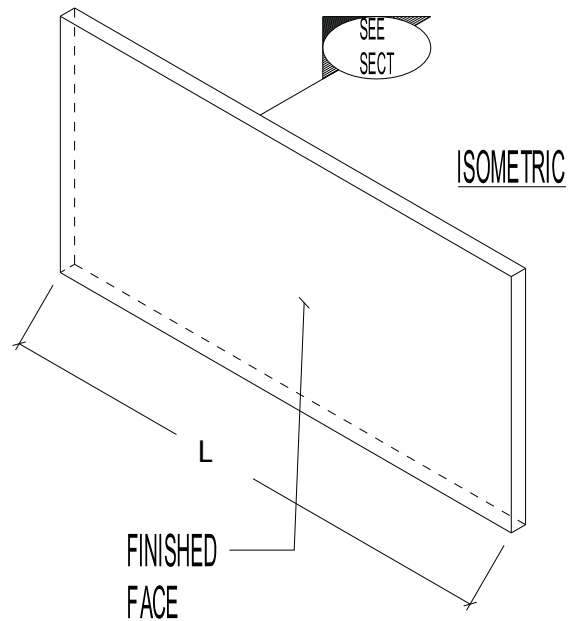
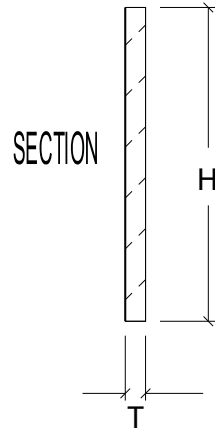
---

ARRIS■tile SMOOTH	4
ARRIS■tile RETURN SMOOTH	4
ARRIS■tile ROCKED	5
ARRIS■tile RETURN ROCKED	5
ARRIS■tile SILL	6
ARRIS■tile SILL RETURN	6
ARRIS■tile BULLNOSE	7
ARRIS■tile BULLNOSE RETURN	7
ARRIS■tile EXTRA THICK	8
ARRIS■tile EXTRA THICK RETURN	8
ARRIS■tile EXTRA THICK WITH CHAMFER ON ONE LONG EDGE	9
ARRIS■tile EXTRA THICK RETURN WITH CHAMFER ON ONE LONG EDGE	9
ARRIS■tile EXTRA THICK WITH NOTCH ON ONE LONG EDGE	10
ARRIS■tile EXTRA THICK RETURN WITH NOTCH ON ONE LONG EDGE	10
ARRIS■tile SOLDIERED TILE CORNERS	11
SAMPLE ARRIS■tile CUSTOM STONE WINDOW SURROUNDS	12
ARRIS■clip SMOOTH	13
ARRIS■clip RETURN SMOOTH	13
ARRIS■clip SMOOTH FINISHED END STRETCHER	14
ARRIS■clip SMOOTH QUIRK MITRED STRETCHER	14
ARRIS■clip ROCKED	15
ARRIS■clip RETURN ROCKED	15
ARRIS■clip ROCKED FINISHED END	16
ARRIS■clip ROCK QUIRK MITRED FINISHED END	16
ARRIS■clip SILL	17
ARRIS■clip SILL RETURN	17
ARRIS■clip BULLNOSE	18
ARRIS■clip BULLNOSE RETURN	18
ARRIS■clip EXTRA THICK SMOOTH	19
ARRIS■clip EXTRA THICK RETURN SMOOTH	19
ARRIS■clip EXTRA THICK ROCKED	20
ARRIS■clip EXTRA THICK RETURN ROCKED	20
ARRIS■clip EXTRA THICK WITH CHAMFER ON ONE LONG EDGE	21
ARRIS■clip EXTRA THICK RETURN WITH CHAMFER ON ONE LONG EDGE	21
ARRIS■clip EXTRA THICK WITH NOTCH ON ONE LONG EDGE	22
ARRIS■clip EXTRA THICK RETURN WITH NOTCH ON ONE LONG EDGE	22
ARRIS■clip SOLDIERED	23
ARRIS■clip SOLDIERED RETURN	23

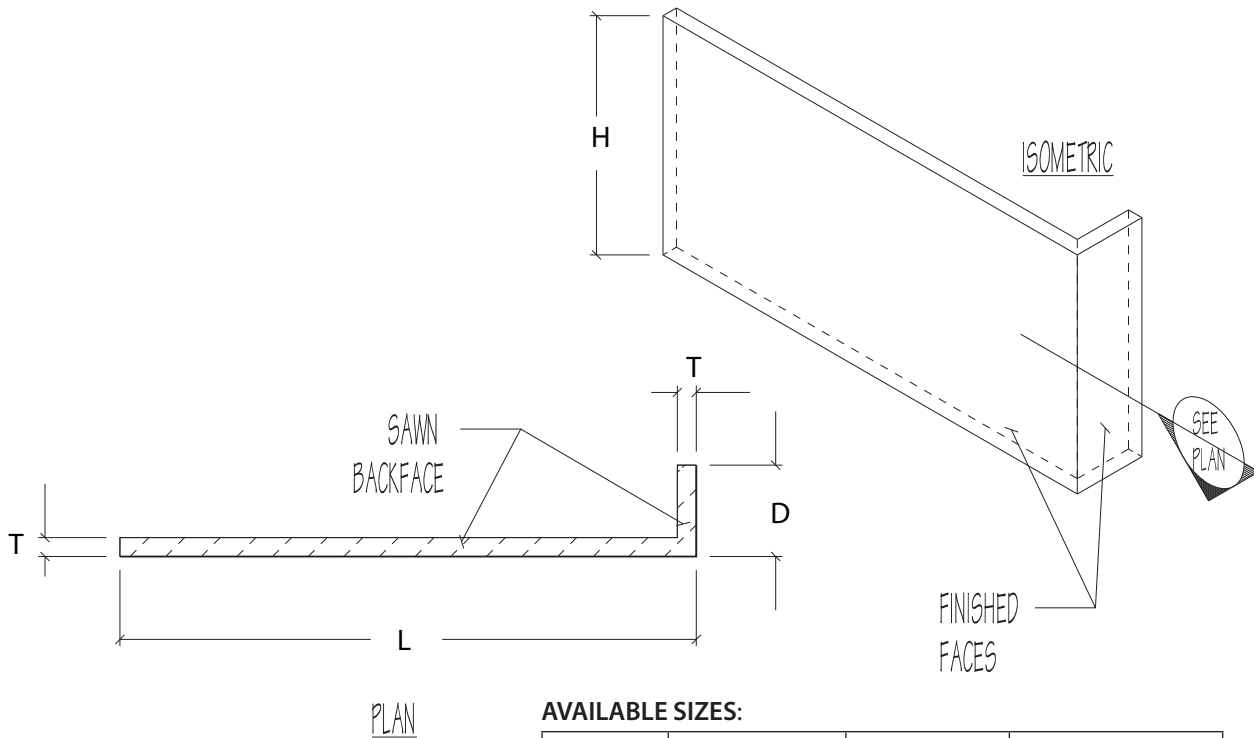
ARRIS•tile SMOOTH

AVAILABLE SIZES:

HEIGHT (H)	LENGTH (L)	STD. THICKNESS (T)
3-5/8"	23-5/8"	3/4"
7-5/8"	23-5/8"	3/4"
11-5/8"	23-5/8"	3/4"



ARRIS•tile RETURN SMOOTH



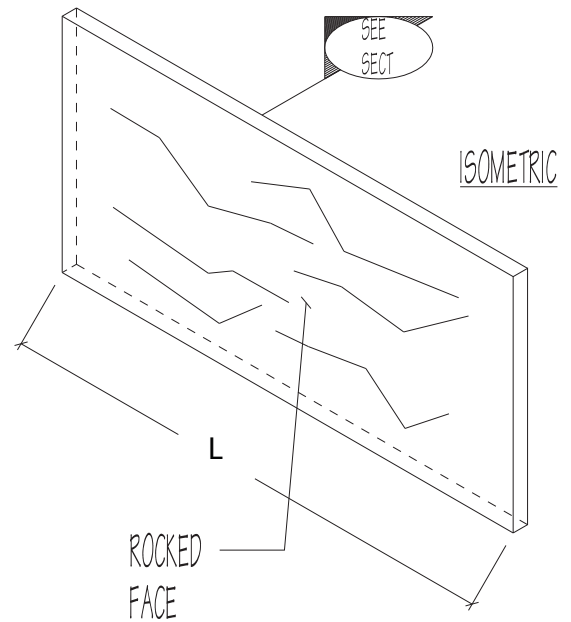
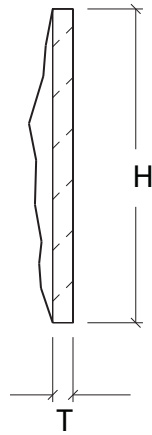
AVAILABLE SIZES:

HEIGHT (H)	LENGTH (L)	STD. DEPTH (D)	STD. THICKNESS (T)
3-5/8"	22-7/8" MAX.	3-5/8"	3/4"
7-5/8"	22-7/8" MAX.	3-5/8"	3/4"
11-5/8"	22-7/8" MAX.	3-5/8"	3/4"

ARRIS•tile ROCKED

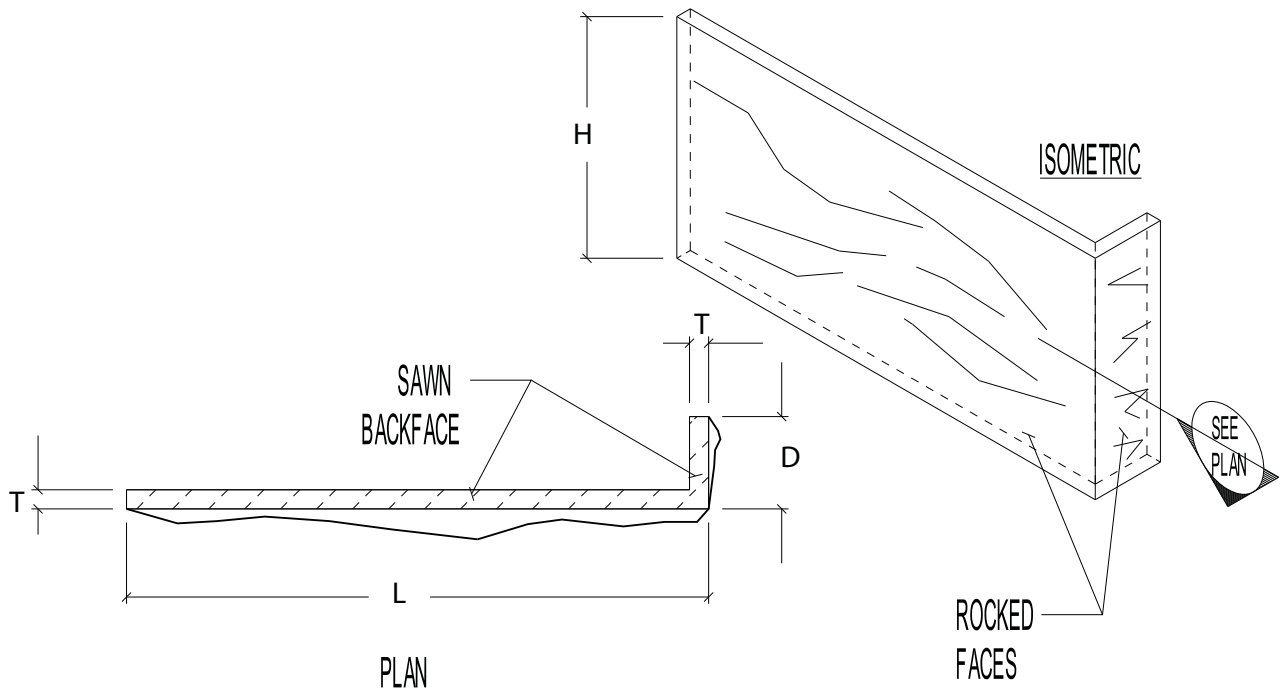
AVAILABLE SIZES:

HEIGHT (H)	LENGTH (L)	STD. THICKNESS (T)
3-5/8"	23-5/8"	3/4"
7-5/8"	23-5/8"	3/4"
11-5/8"	23-5/8"	3/4"



ARRIS•tile RETURN ROCKED

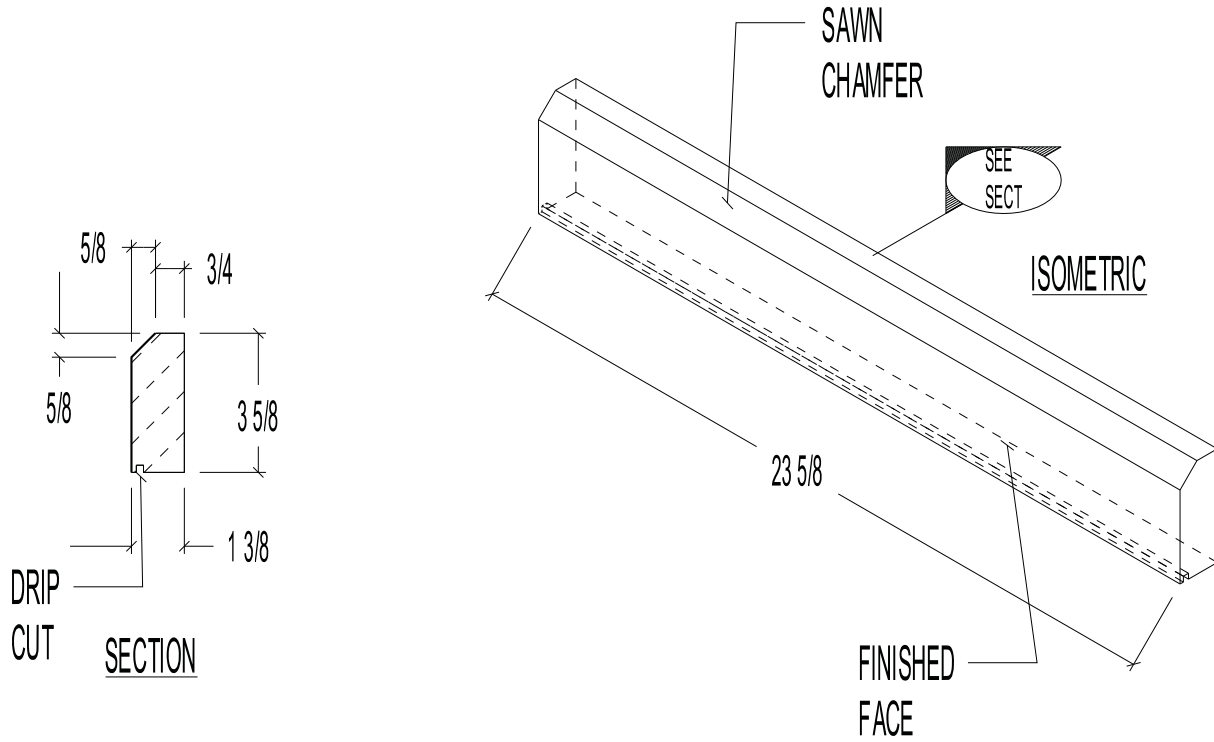
SECTION



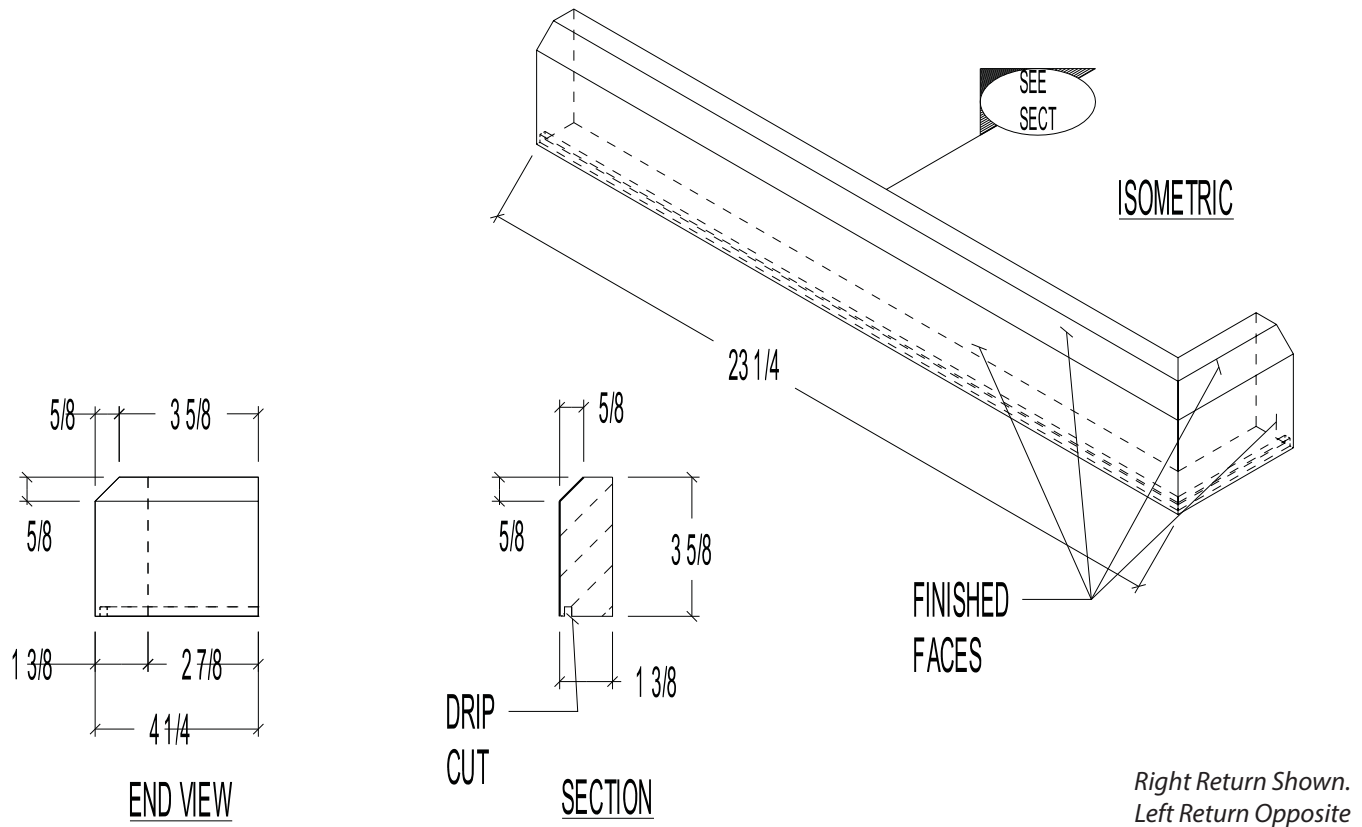
AVAILABLE SIZES:

HEIGHT (H)	LENGTH (L)	STD. DEPTH (D)	STD. THICKNESS (T)
3-5/8"	22-7/8" MAX.	3-5/8"	3/4"
7-5/8"	22-7/8" MAX.	3-5/8"	3/4"
11-5/8"	22-7/8" MAX.	3-5/8"	3/4"

ARRIS•tile SILL

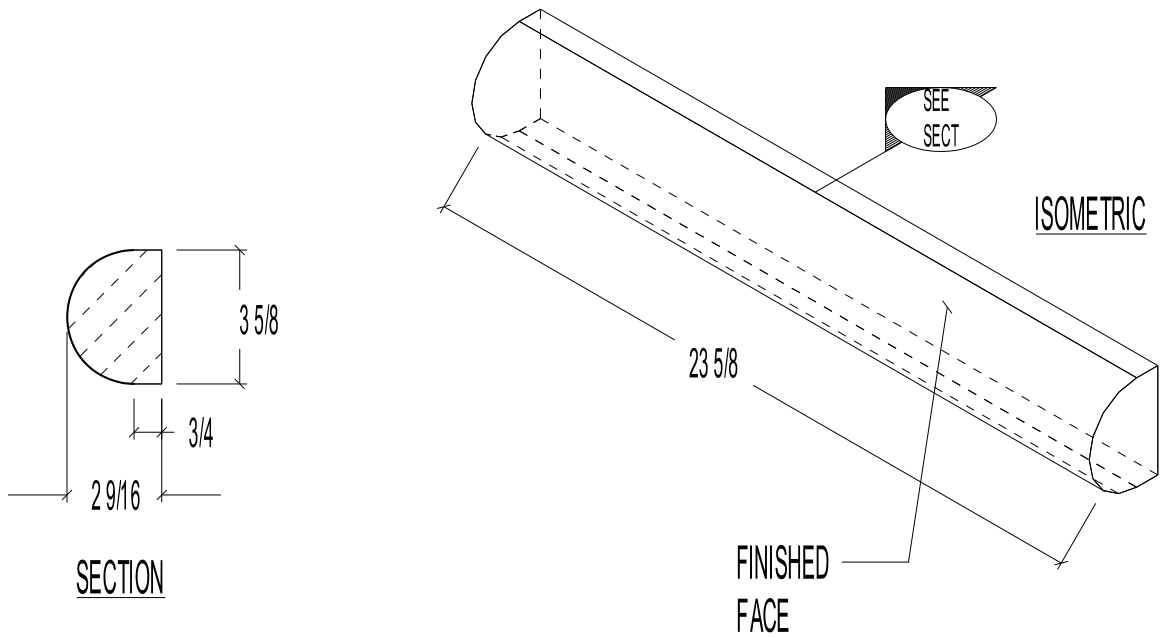


ARRIS•tile SILL RETURN

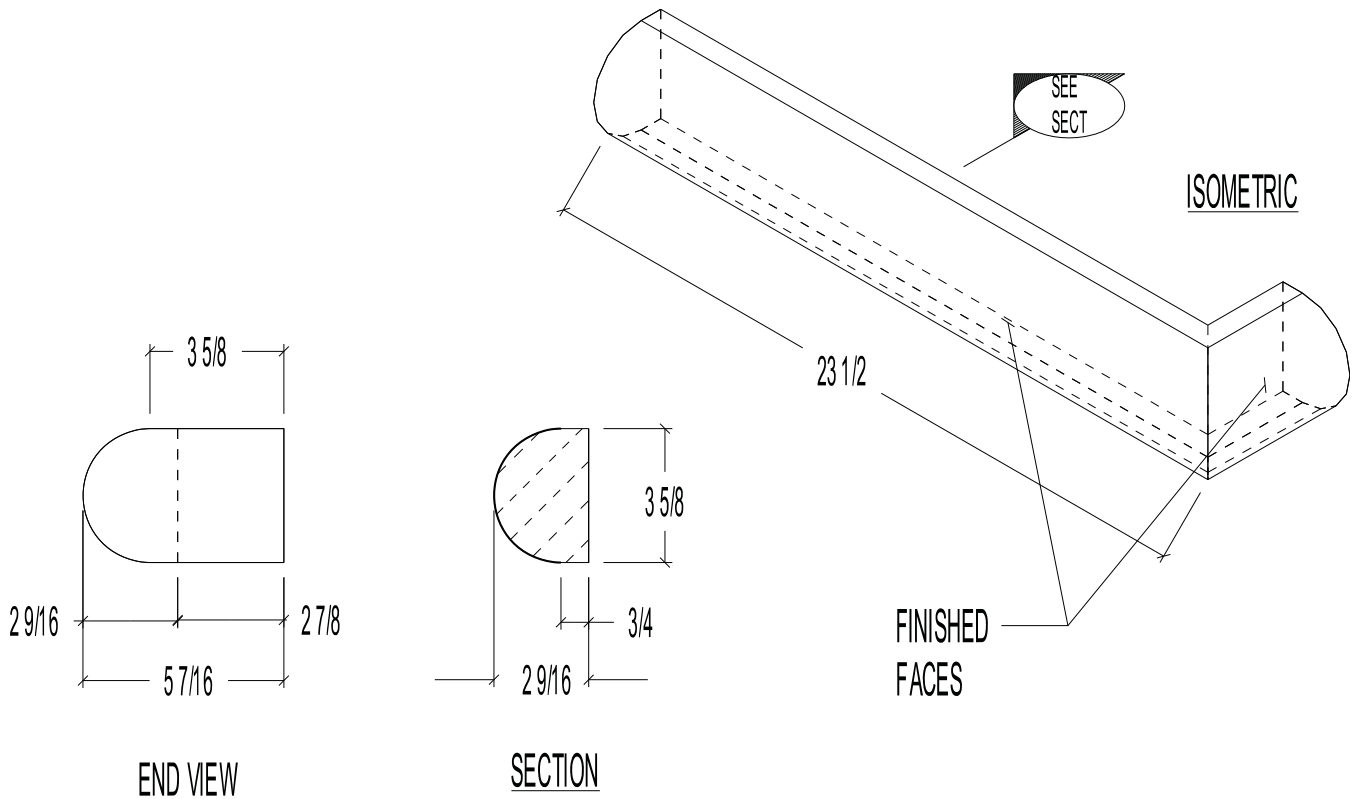


Right Return Shown.  
Left Return Opposite

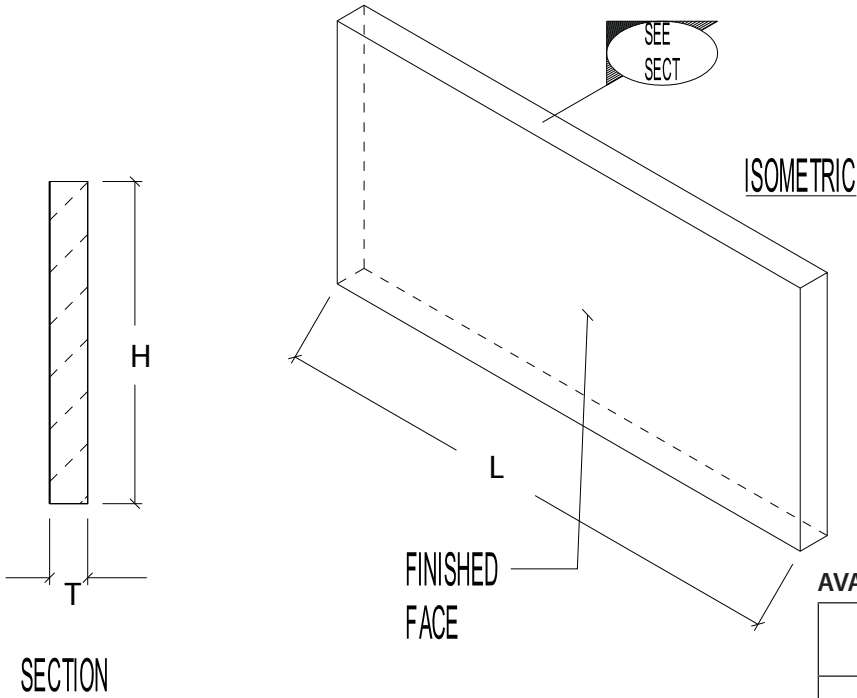
ARRIS•tile BULLNOSE



ARRIS•tile BULLNOSE RETURN



ARRIS•tile EXTRA THICK



AVAILABLE SIZES:

HEIGHT (H)	LENGTH (L)	THICKNESS (T)
3-5/8"	23-5/8"	1-3/8"
7-5/8"	23-5/8"	1-3/8"
11-5/8"	23-5/8"	1-3/8"

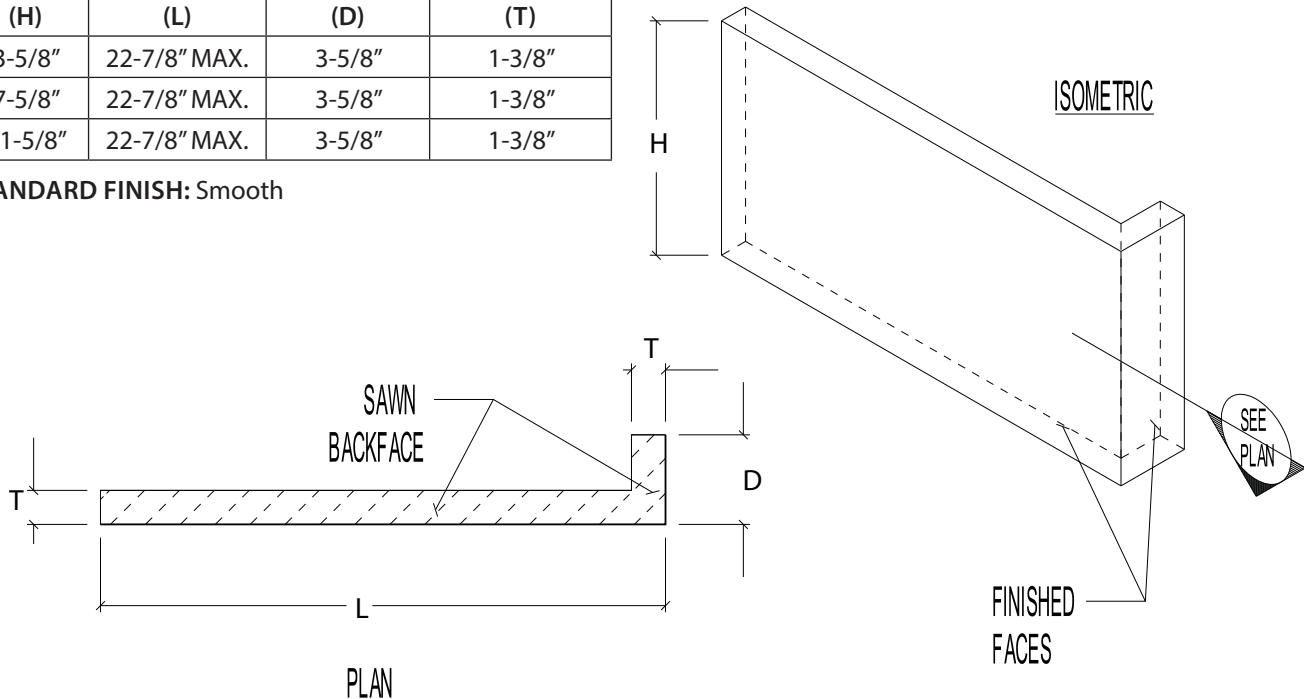
STANDARD FINISH: Smooth

ARRIS•tile EXTRA THICK RETURN

AVAILABLE SIZES:

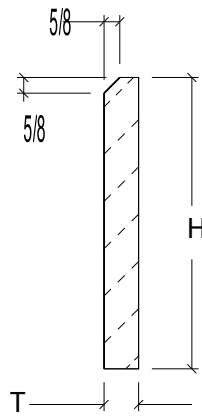
HEIGHT (H)	LENGTH (L)	STD. DEPTH (D)	THICKNESS (T)
3-5/8"	22-7/8" MAX.	3-5/8"	1-3/8"
7-5/8"	22-7/8" MAX.	3-5/8"	1-3/8"
11-5/8"	22-7/8" MAX.	3-5/8"	1-3/8"

STANDARD FINISH: Smooth



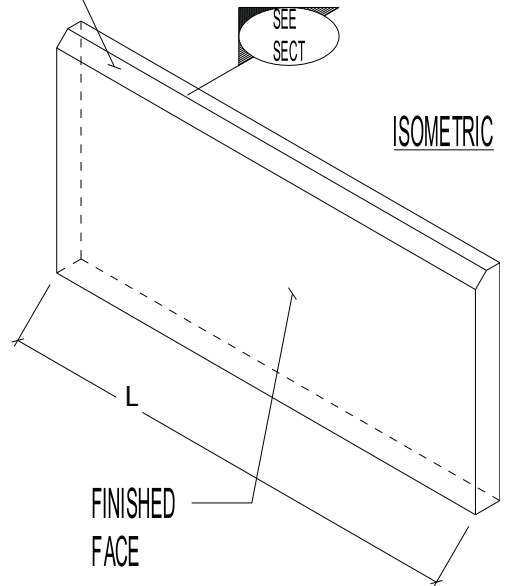


ARRIS•tile EXTRA THICK WITH CHAMFER ON ONE LONG EDGE



SECTION

SMOOTH  
SAWN  
CHAMFER



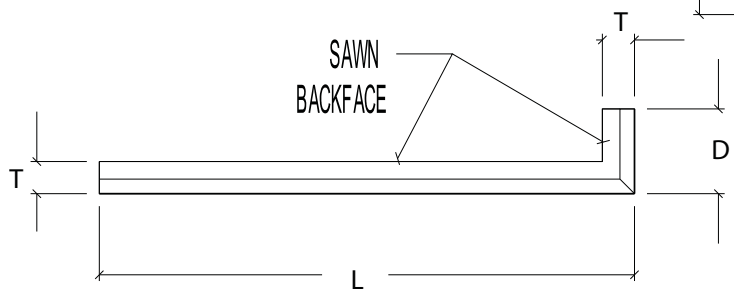
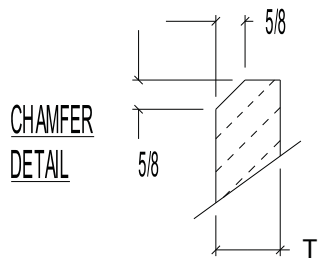
ISOMETRIC

AVAILABLE SIZES:

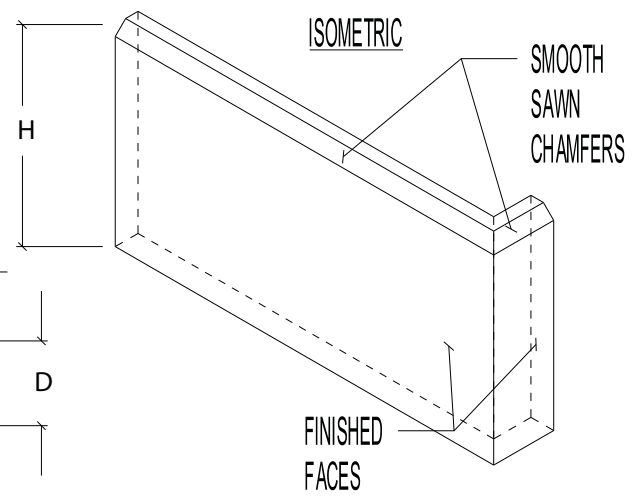
HEIGHT (H)	LENGTH (L)	THICKNESS (T)
3-5/8"	23-5/8"	1-3/8"
7-5/8"	23-5/8"	1-3/8"
11-5/8"	23-5/8"	1-3/8"

STANDARD FINISH: Smooth

ARRIS•tile EXTRA THICK RETURN WITH CHAMFER ON ONE LONG EDGE



PLAN



ISOMETRIC

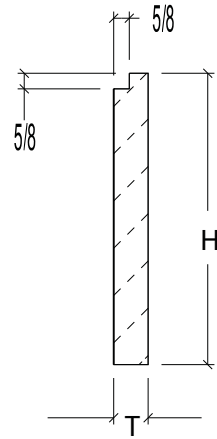
AVAILABLE SIZES:

HEIGHT (H)	LENGTH (L)	STD. DEPTH (D)	THICKNESS (T)
3-5/8"	22-7/8" MAX.	3-5/8"	1-3/8"
7-5/8"	22-7/8" MAX.	3-5/8"	1-3/8"
11-5/8"	22-7/8" MAX.	3-5/8"	1-3/8"

STANDARD FINISH: Smooth

Right Return Shown.  
Left Return Opposite

ARRIS•tile EXTRA THICK WITH NOTCH ON ONE LONG EDGE

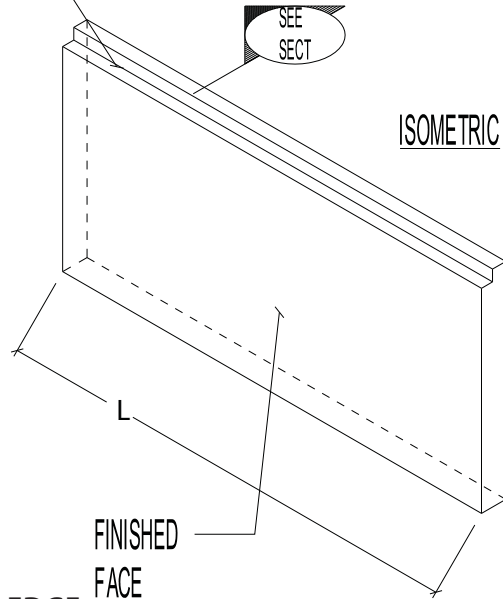


SECTION

SMOOTH  
SAWN  
NOTCH

SEE  
SECT

ISOMETRIC

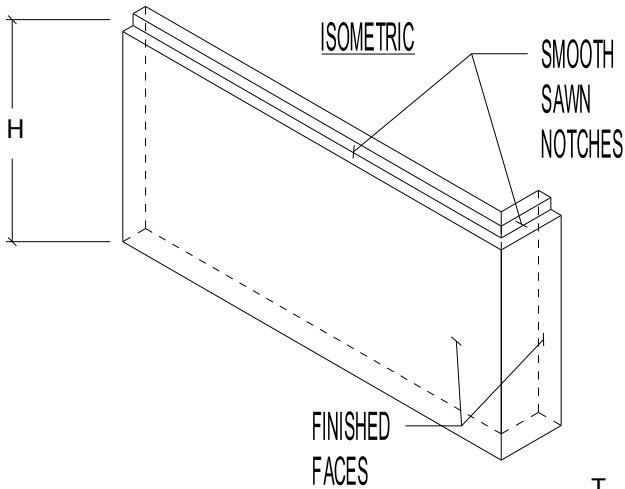


AVAILABLE SIZES:

HEIGHT (H)	LENGTH (L)	THICKNESS (T)
3-5/8"	23-5/8"	1-3/8"
7-5/8"	23-5/8"	1-3/8"
11-5/8"	23-5/8"	1-3/8"

STANDARD FINISH: Smooth

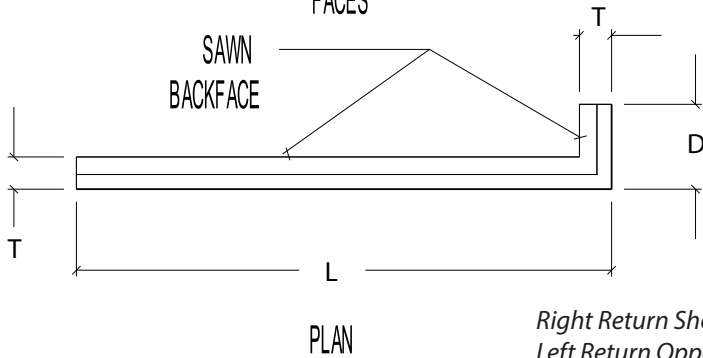
ARRIS•tile EXTRA THICK RETURN WITH NOTCH ON ONE LONG EDGE



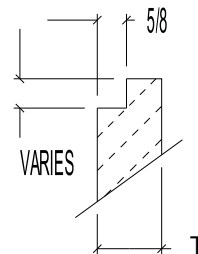
AVAILABLE SIZES:

HEIGHT (H)	LENGTH (L)	STD. DEPTH (D)	THICKNESS (T)
3-5/8"	22-7/8" MAX.	3-5/8"	1-3/8"
7-5/8"	22-7/8" MAX.	3-5/8"	1-3/8"
11-5/8"	22-7/8" MAX.	3-5/8"	1-3/8"

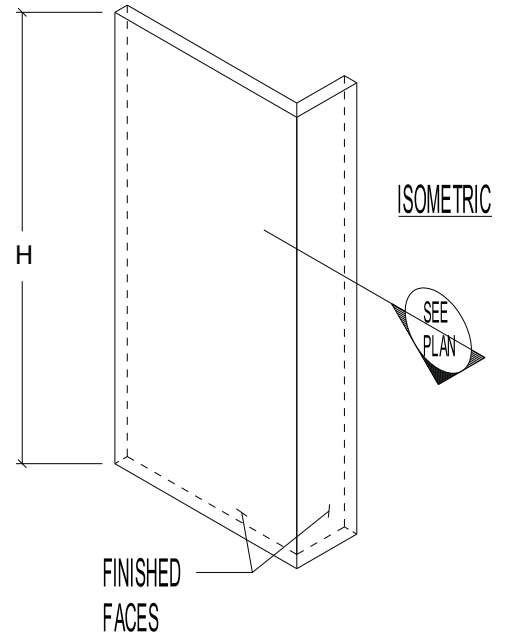
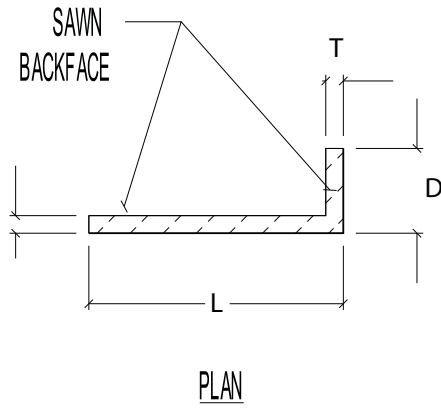
STANDARD FINISH: Smooth



NOTCH  
DETAIL



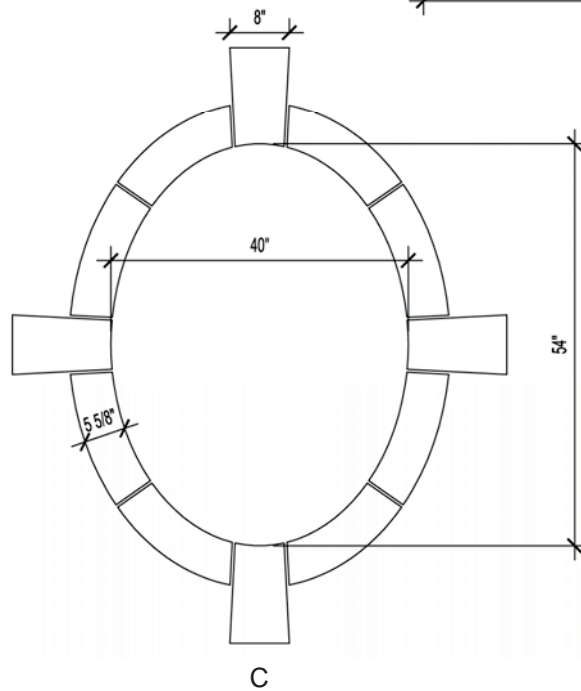
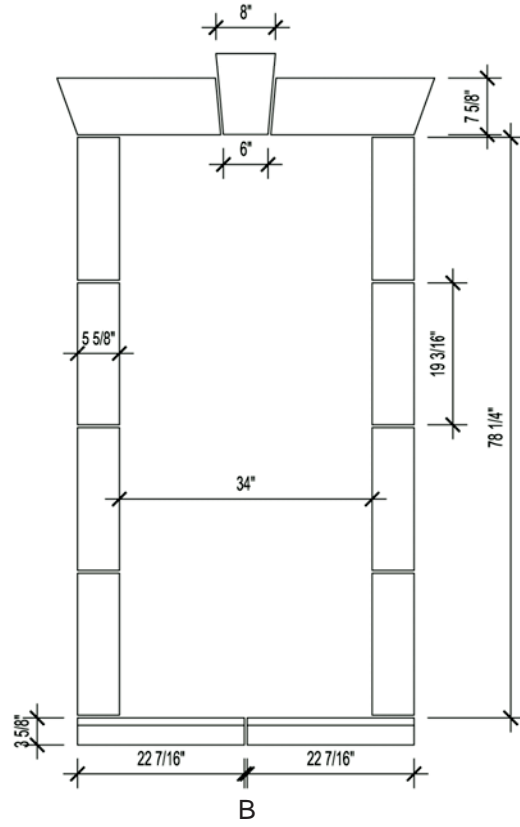
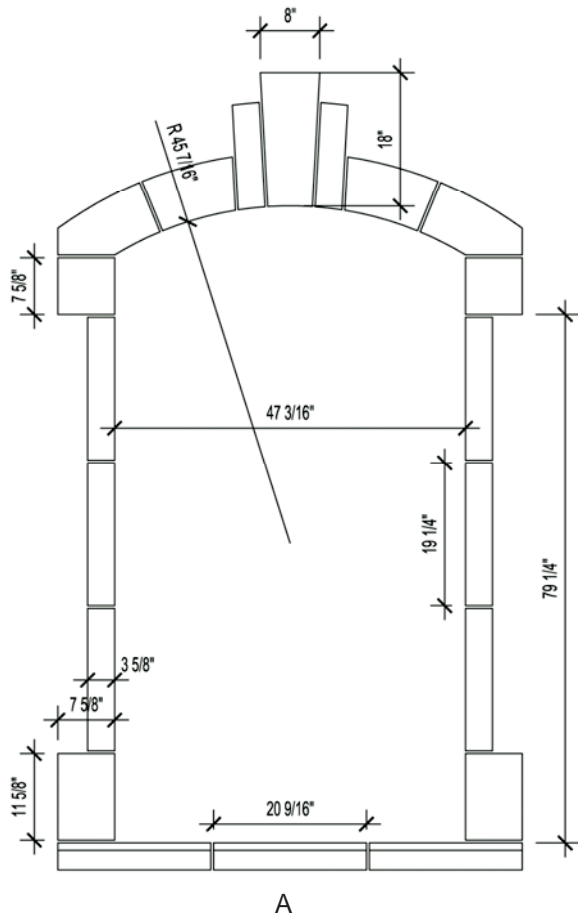
ARRIS•tile SOLDIERED TILE CORNERS



AVAILABLE SIZES:

HEIGHT (H)	LENGTH (L)	STD. DEPTH (D)	THICKNESS (T)
23-5/8"	3-5/8"	3-5/8"	3/4"
23-5/8"	7-5/8"	3-5/8"	3/4"
23-5/8"	10-7/8"	3-5/8"	3/4"

STANDARD FINISH: Smooth, Rocked



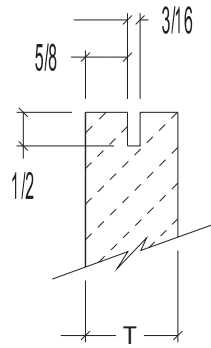
**NOTES**

- All window surrounds are custom. These are samples only.
- Please consult with Arriscraft Technical Services for assistance with your particular design.

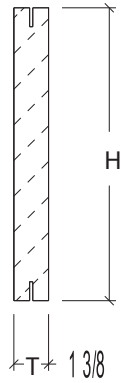
## ARRIS•clip SMOOTH

NOTES:

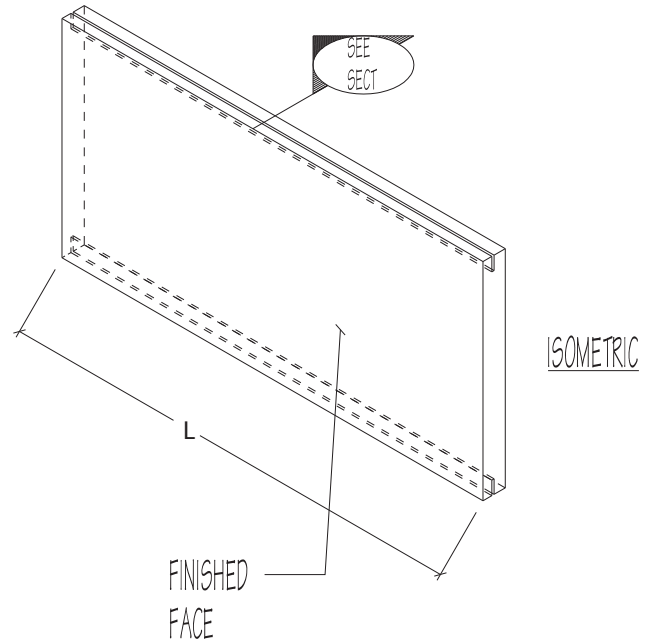
1. HEAVY LINES INDICATE FINISHED FACES



ANCHOR  
SLOT DETAIL



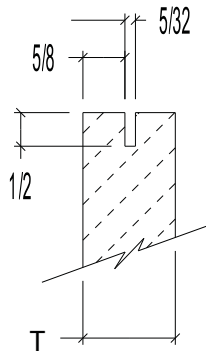
SECTION



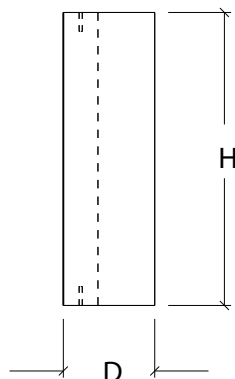
AVAILABLE SIZES:

HEIGHT (H)	LENGTH (L)	STD. THICKNESS (T)
3-5/8"	23-5/8"	1-3/8"
7-5/8"	23-5/8"	1-3/8"
11-5/8"	23-5/8"	1-3/8"

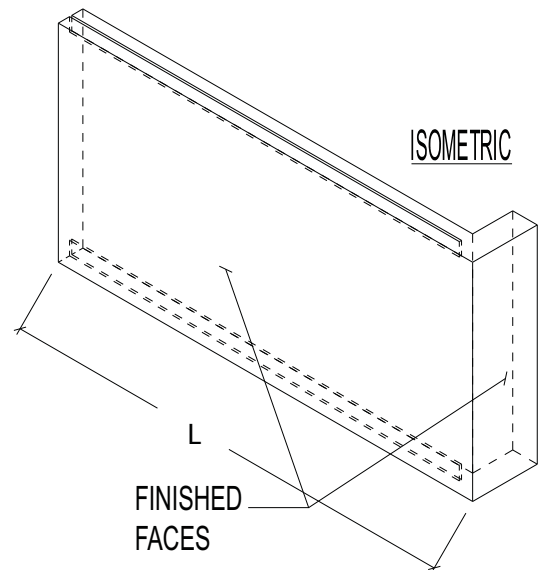
## ARRIS•clip RETURN SMOOTH



ANCHOR  
SLOT  
DETAIL



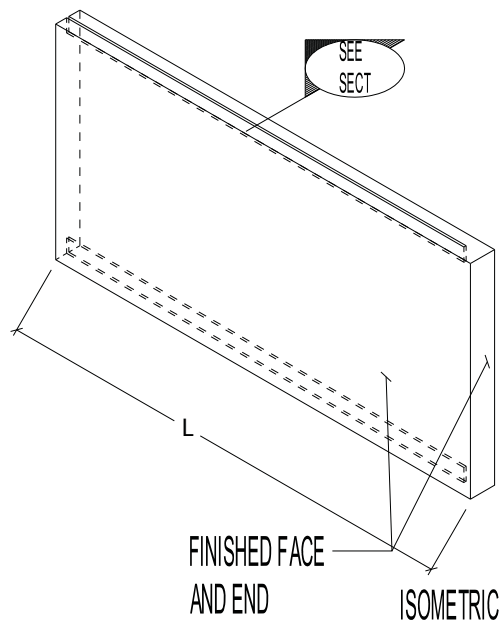
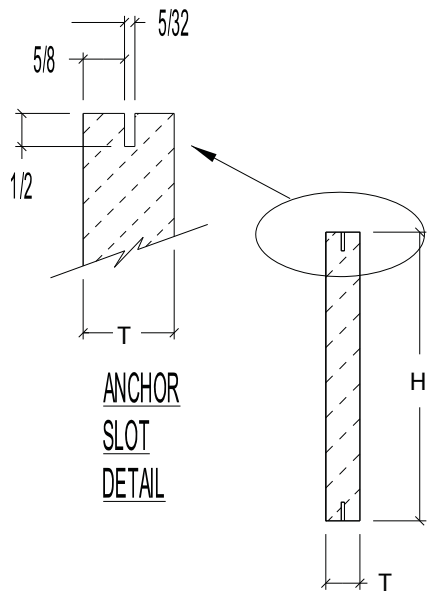
END VIEW



AVAILABLE SIZES:

HEIGHT (H)	LENGTH (L)	STD. DEPTH (D)	STD. THICKNESS (T)
3-5/8"	22-7/8" MAX.	3-5/8"	1-3/8"
7-5/8"	22-7/8" MAX.	3-5/8"	1-3/8"
11-5/8"	22-7/8" MAX.	3-5/8"	1-3/8"

## ARRIS=clip SMOOTH FINISHED END STRETCHER

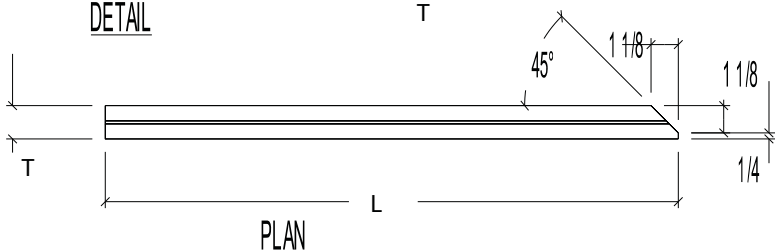
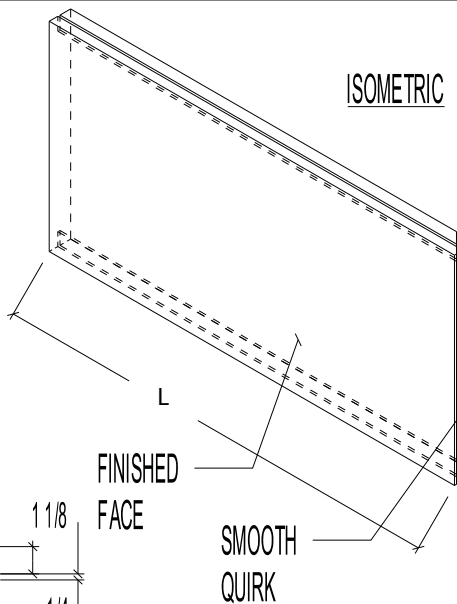
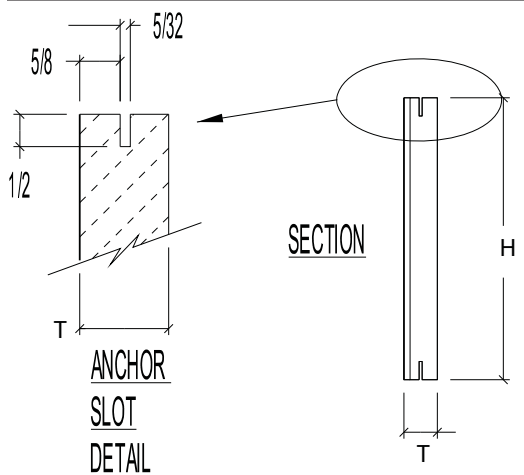


AVAILABLE SIZES:

HEIGHT (H)	LENGTH (L)	STD. THICKNESS (T)
3-5/8"	23-5/8"	1-3/8"
7-5/8"	23-5/8"	1-3/8"
11-5/8"	23-5/8"	1-3/8"

SECTION

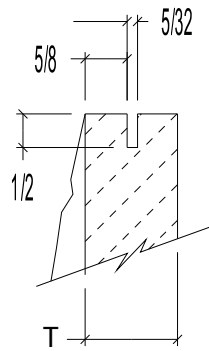
## ARRIS=clip SMOOTH QUIRK MITRED STRETCHER



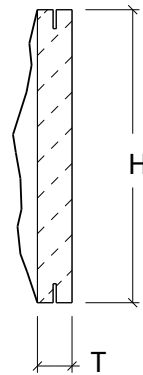
AVAILABLE SIZES:

HEIGHT (H)	LENGTH (L)	STD. THICKNESS (T)
3-5/8"	23-5/8"	1-3/8"
7-5/8"	23-5/8"	1-3/8"
11-5/8"	23-5/8"	1-3/8"

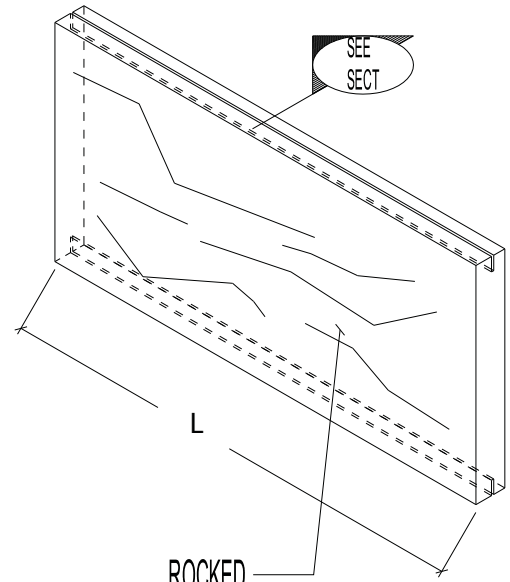
## ARRIS•clip ROCKED



ANCHOR  
SLOT  
DETAIL



SECTION



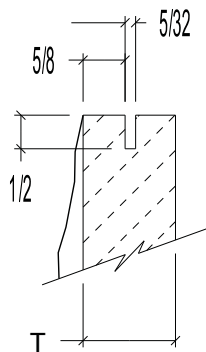
ROCKED  
FACE

ISOMETRIC

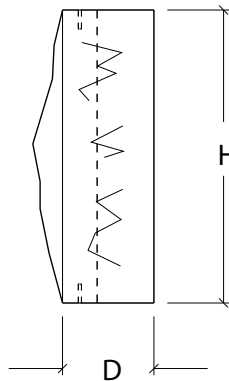
### AVAILABLE SIZES:

HEIGHT (H)	LENGTH (L)	STD. THICKNESS (T)
3-5/8"	23-5/8"	1-3/8"
7-5/8"	23-5/8"	1-3/8"
11-5/8"	23-5/8"	1-3/8"

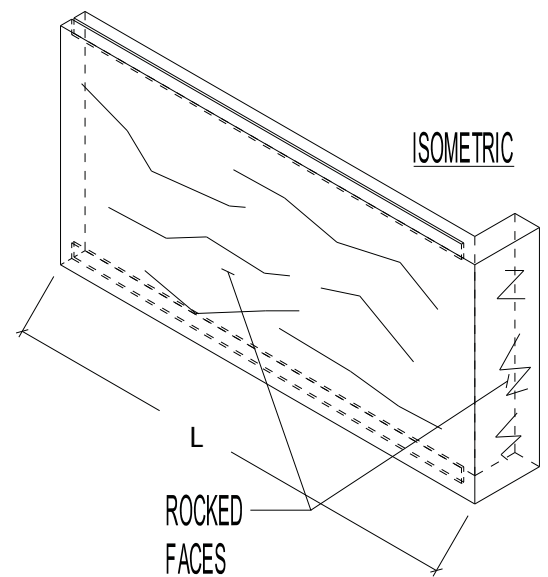
## ARRIS•clip RETURN ROCKED



ANCHOR  
SLOT  
DETAIL



END VIEW



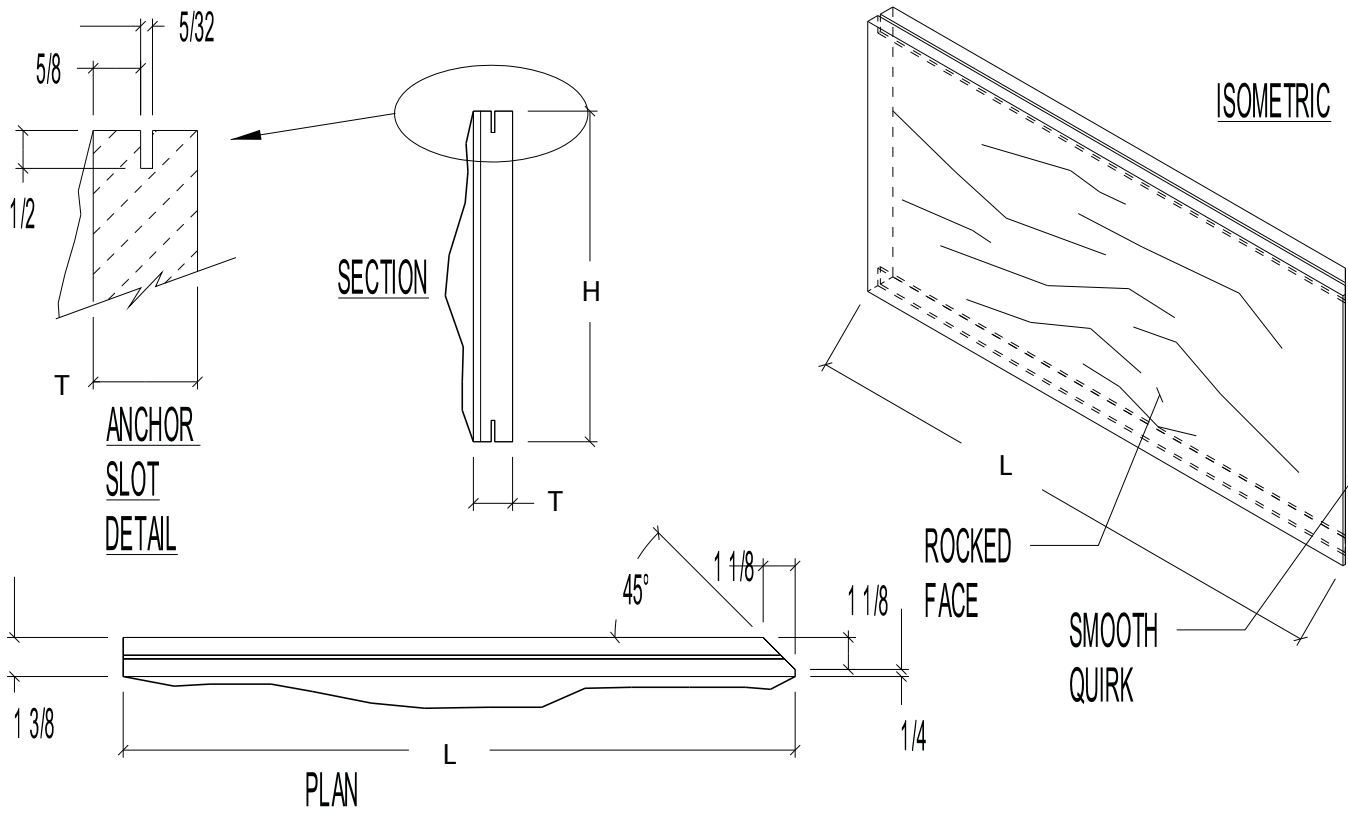
ROCKED  
FACES

ISOMETRIC

### AVAILABLE SIZES:

HEIGHT (H)	LENGTH (L)	STD. DEPTH (D)	STD. THICKNESS (T)
3-5/8"	22-7/8" MAX.	3-5/8"	1-3/8"
7-5/8"	22-7/8" MAX.	3-5/8"	1-3/8"
11-5/8"	22-7/8" MAX.	3-5/8"	1-3/8"

ARRIS-clip ROCKED QUIRK MITRED END

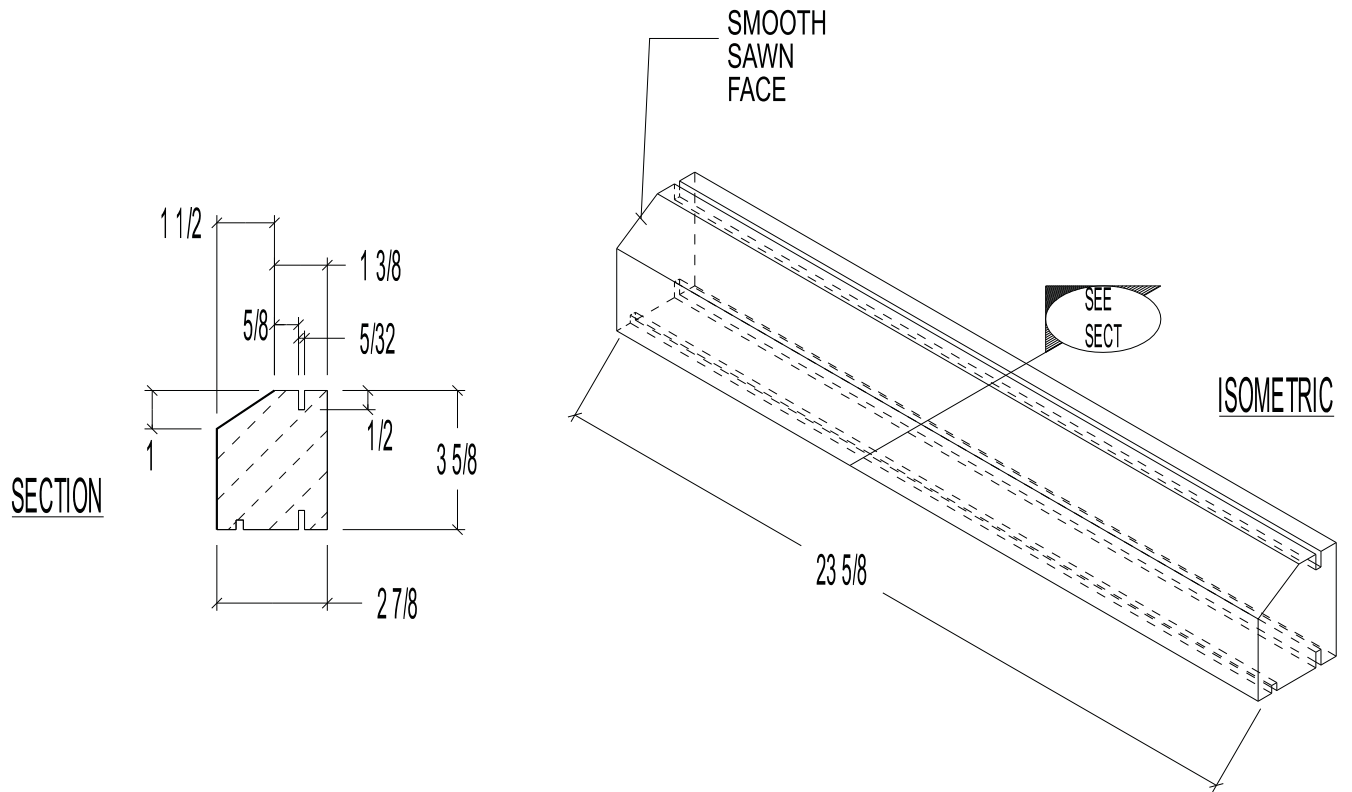


AVAILABLE SIZES:

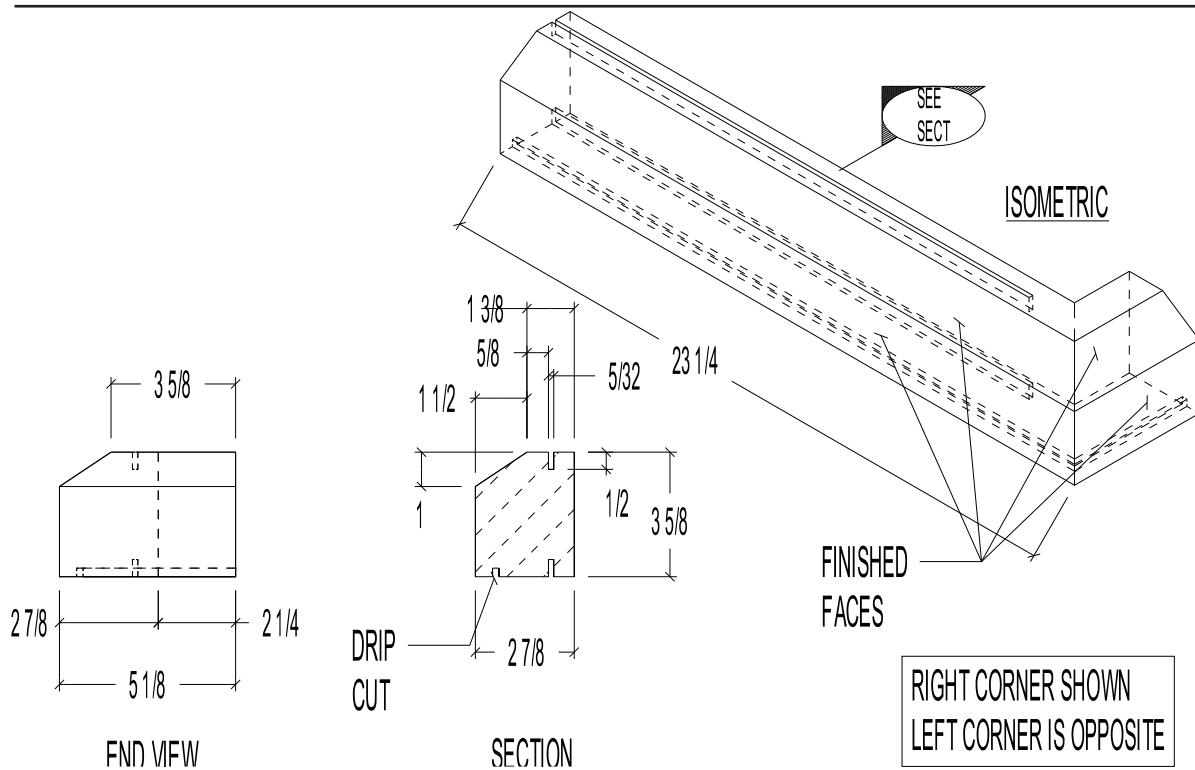
HEIGHT (H)	LENGTH (L)	STD. THICKNESS (T)
3-5/8"	23-5/8"	1-3/8"
7-5/8"	23-5/8"	1-3/8"
11-5/8"	23-5/8"	1-3/8"



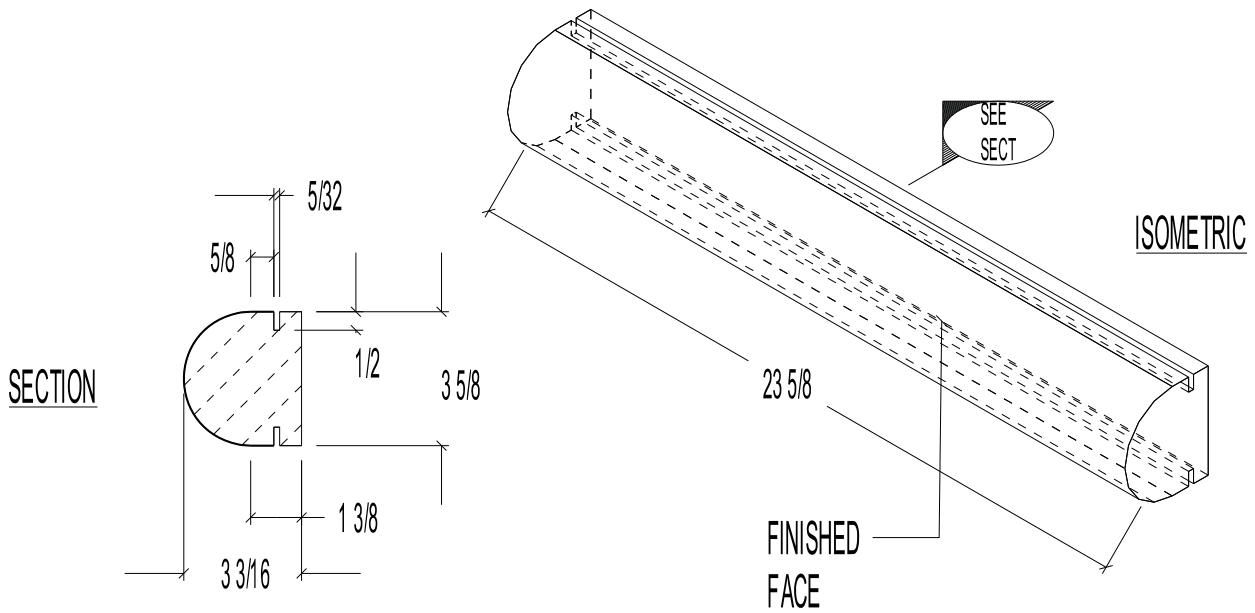
ARRIS-clip SILL



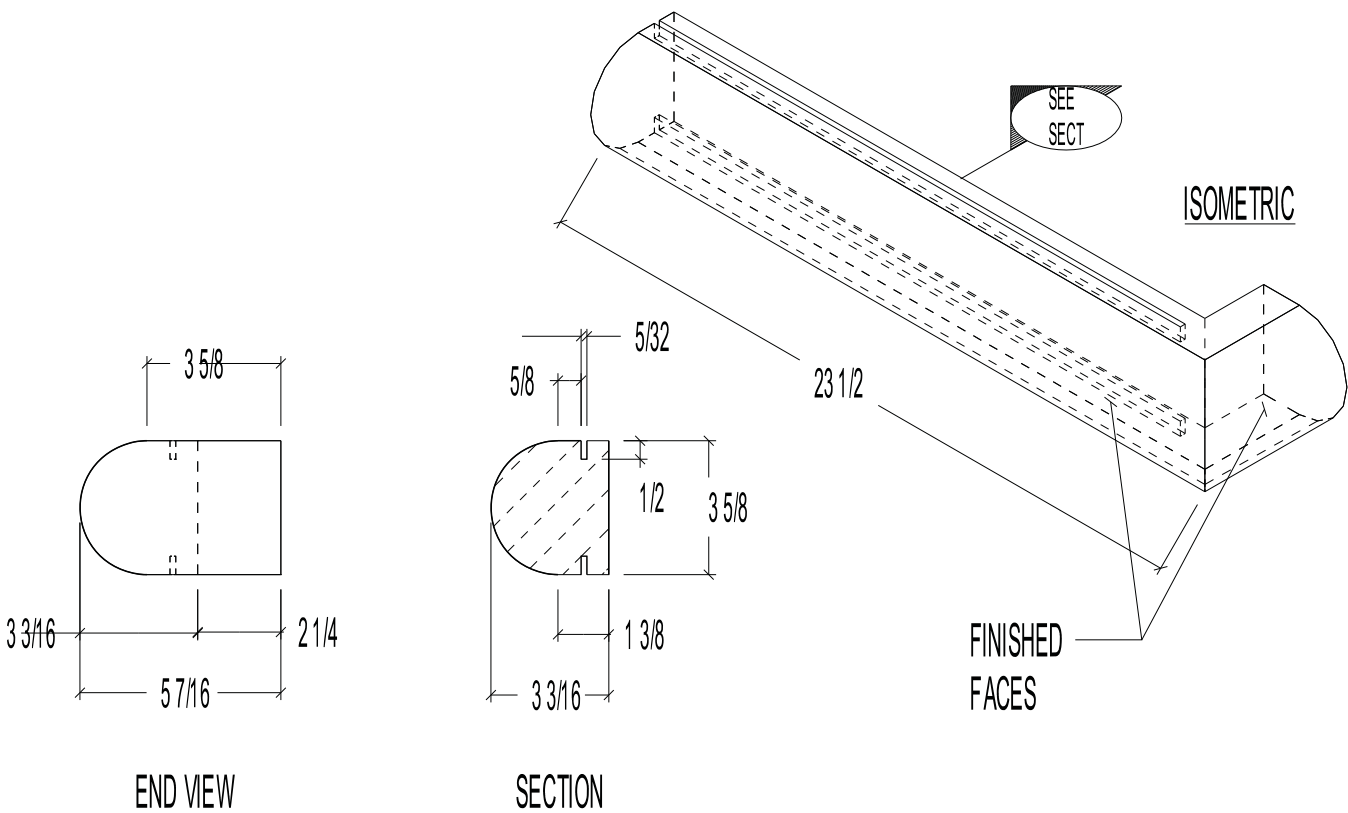
ARRIS-clip SILL RETURN



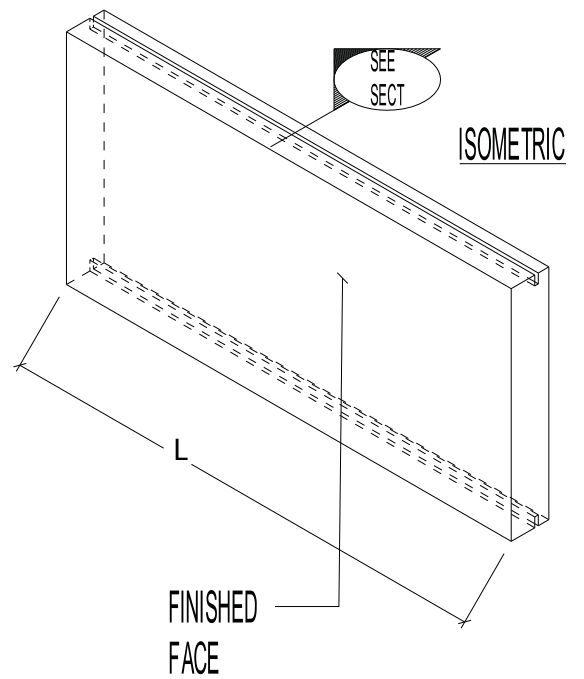
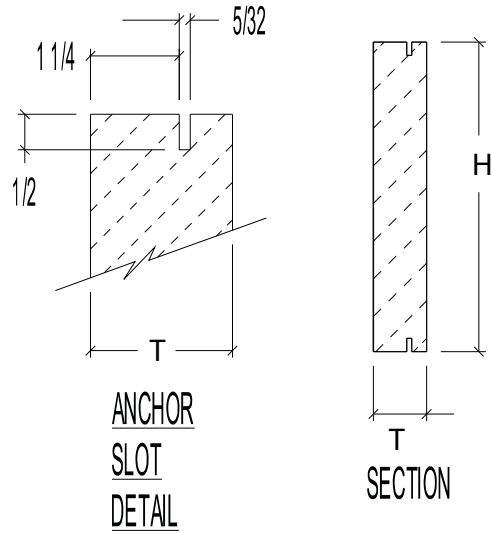
ARRIS•clip BULLNOSE



ARRIS•clip BULLNOSE RETURN



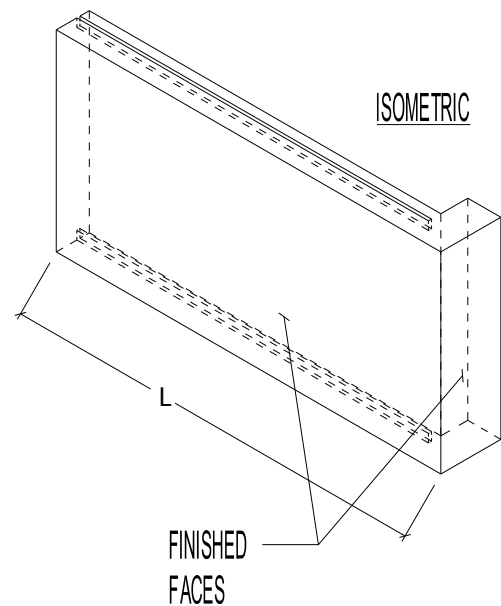
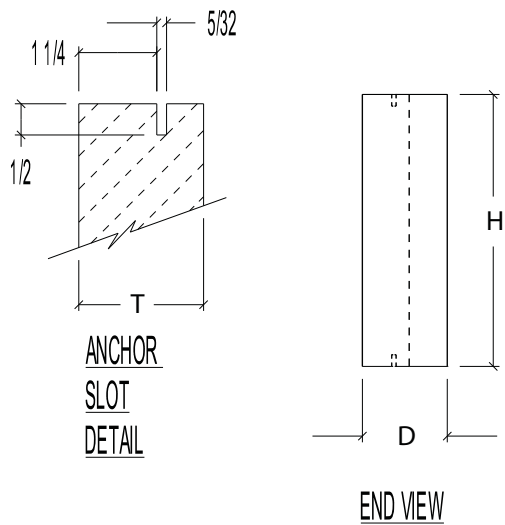
## ARRIS•clip EXTRA THICK SMOOTH



### AVAILABLE SIZES:

HEIGHT (H)	LENGTH (L)	STD. THICKNESS (T)
3-5/8"	23-5/8"	2"
7-5/8"	23-5/8"	2"
11-5/8"	23-5/8"	2"

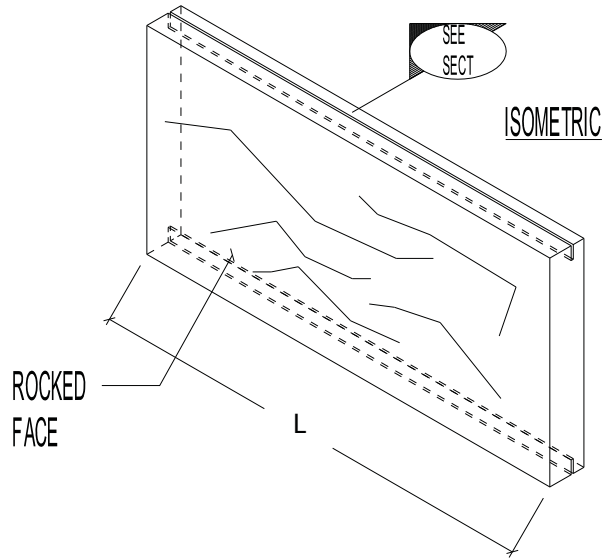
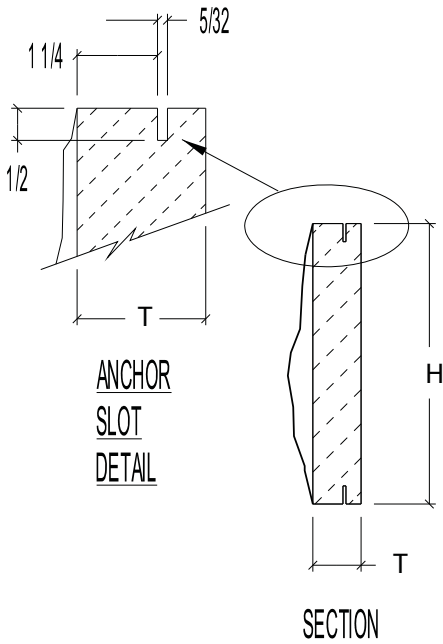
## ARRIS•clip EXTRA THICK RETURN SMOOTH



### AVAILABLE SIZES:

HEIGHT (H)	LENGTH (L)	STD. DEPTH (D)	STD. THICKNESS (T)
3-5/8"	22-7/8" MAX.	3-5/8"	2"
7-5/8"	22-7/8" MAX.	3-5/8"	2"
11-5/8"	22-7/8" MAX.	3-5/8"	2"

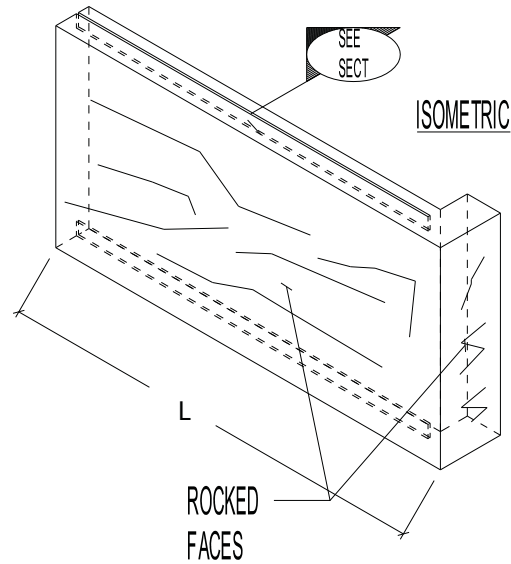
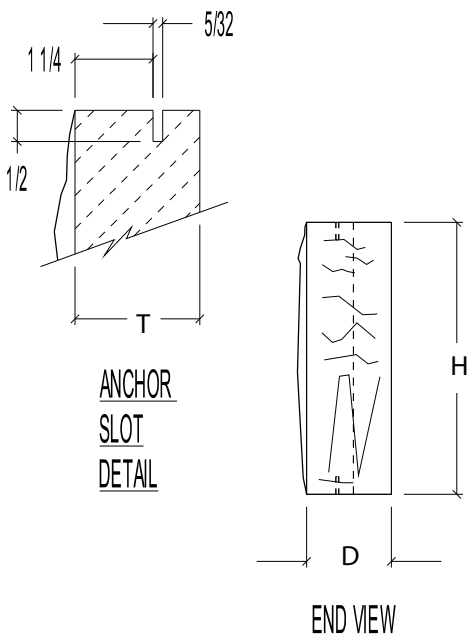
ARRIS•clip EXTRA THICK ROCKED



AVAILABLE SIZES:

HEIGHT (H)	LENGTH (L)	STD. THICKNESS (T)
3-5/8"	23-5/8"	2"
7-5/8"	23-5/8"	2"
11-5/8"	23-5/8"	2"

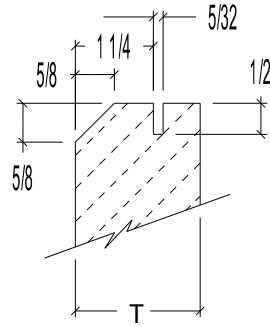
ARRIS•clip EXTRA THICK RETURN ROCKED



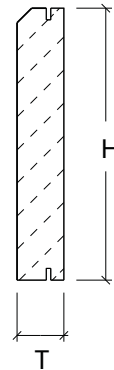
AVAILABLE SIZES:

HEIGHT (H)	LENGTH (L)	STD. DEPTH (D)	STD. THICKNESS (T)
3-5/8"	22-7/8" MAX.	3-5/8"	2"
7-5/8"	22-7/8" MAX.	3-5/8"	2"
11-5/8"	22-7/8" MAX.	3-5/8"	2"

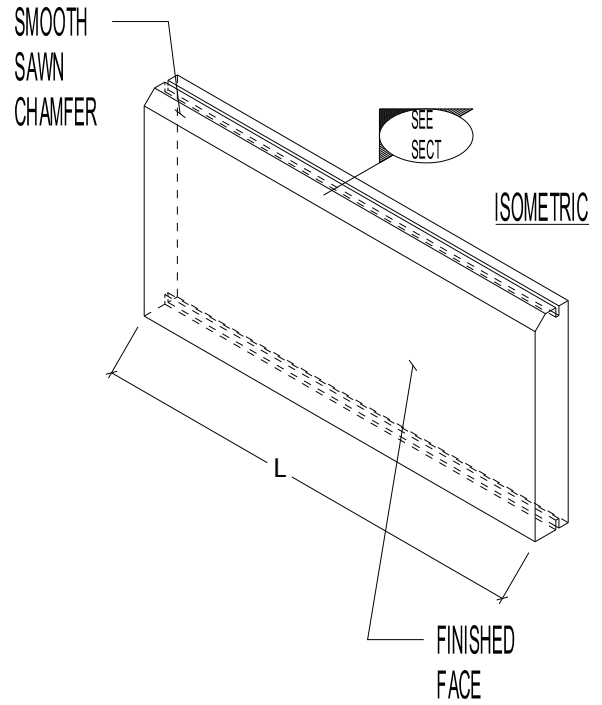
ARRIS•clip EXTRA THICK WITH CHAMFER ON ONE LONG EDGE



ANCHOR SLOT/  
CHAMFER DETAIL



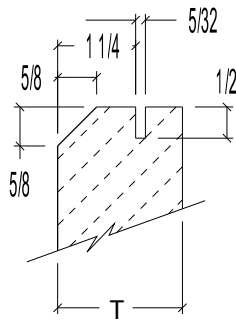
SECTION



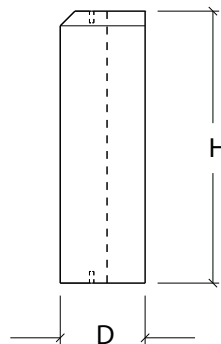
AVAILABLE SIZES:

HEIGHT (H)	LENGTH (L)	STD. THICKNESS (T)
3-5/8"	23-5/8"	2"
7-5/8"	23-5/8"	2"
11-5/8"	23-5/8"	2"

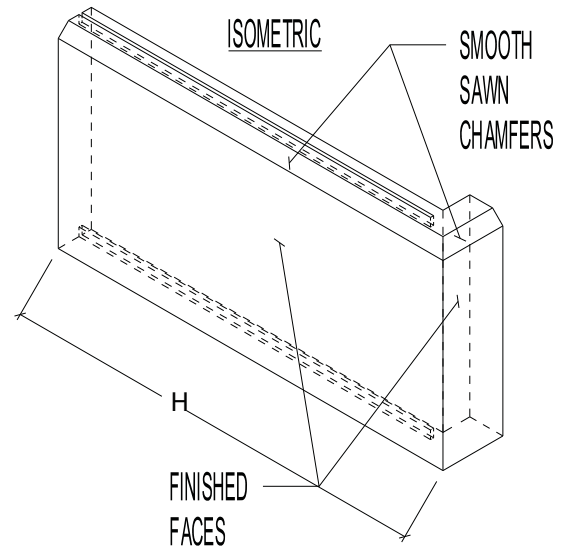
ARRIS•clip EXTRA THICK RETURN WITH CHAMFER ON ONE LONG EDGE



ANCHOR SLOT/  
CHAMFER DETAIL



END VIEW

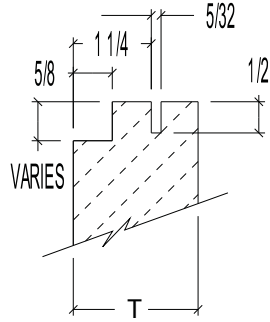


AVAILABLE SIZES:

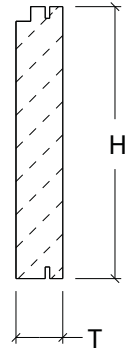
HEIGHT (H)	LENGTH (L)	STD. DEPTH (D)	STD. THICKNESS (T)
3-5/8"	22-7/8" MAX.	3-5/8"	2"
7-5/8"	22-7/8" MAX.	3-5/8"	2"
11-5/8"	22-7/8" MAX.	3-5/8"	2"

RIGHT RETURN SHOWN  
LEFT RETURN OPPOSITE

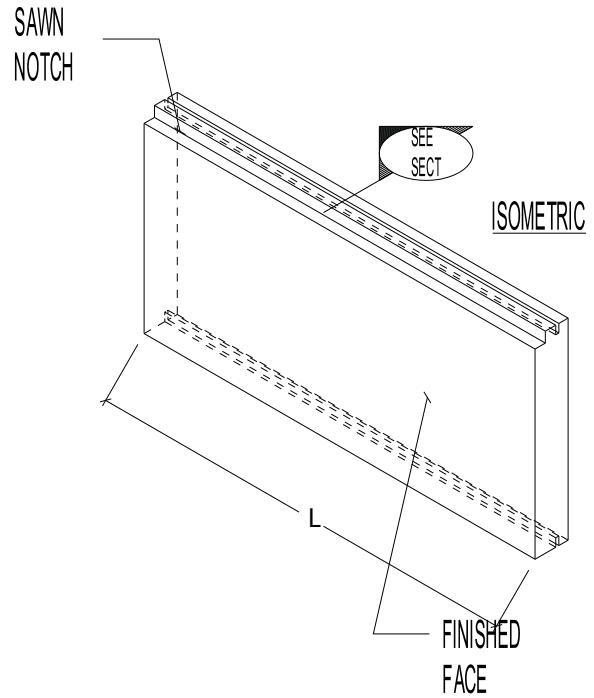
ARRIS<sup>®</sup>clip EXTRA THICK WITH NOTCH ON ONE LONG EDGE



ANCHOR  
SLOT  
DETAIL



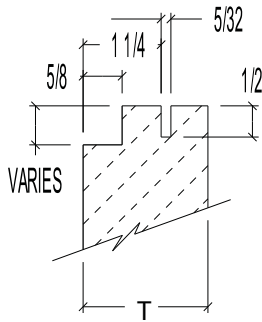
SECTION



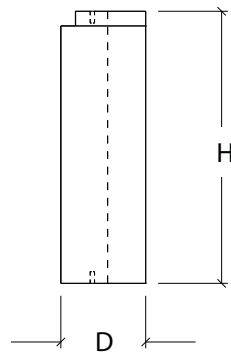
AVAILABLE SIZES:

HEIGHT (H)	LENGTH (L)	STD. THICKNESS (T)
3-5/8"	23-5/8"	2"
7-5/8"	23-5/8"	2"
11-5/8"	23-5/8"	2"

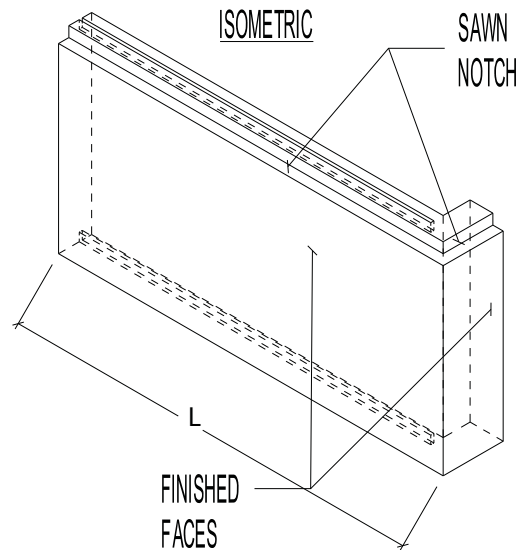
ARRIS<sup>®</sup>clip EXTRA THICK RETURN WITH NOTCH ON ONE LONG EDGE



ANCHOR SLOT/  
NOTCH DETAIL



END VIEW

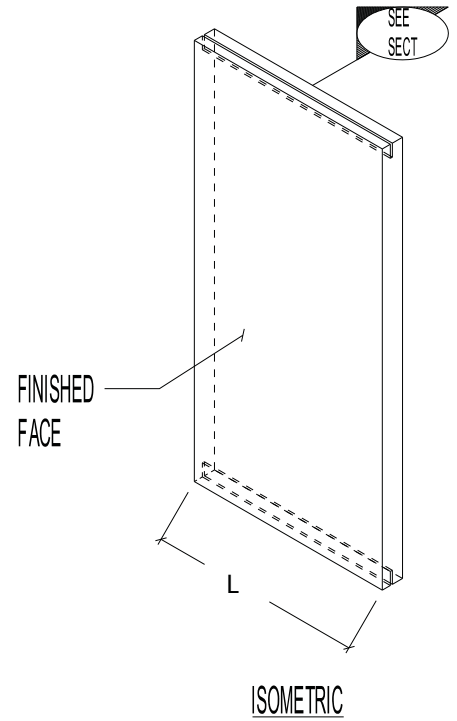
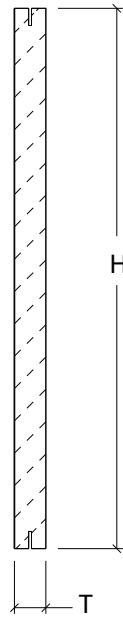
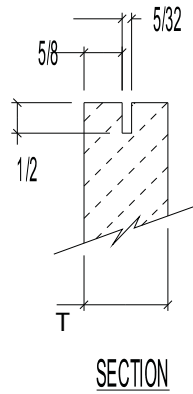


RIGHT RETURN SHOWN  
LEFT RETURN OPPOSITE

AVAILABLE SIZES:

HEIGHT (H)	LENGTH (L)	STD. DEPTH (D)	STD. THICKNESS (T)
3-5/8"	22-7/8" MAX.	3-5/8"	2"
7-5/8"	22-7/8" MAX.	3-5/8"	2"
11-5/8"	22-7/8" MAX.	3-5/8"	2"

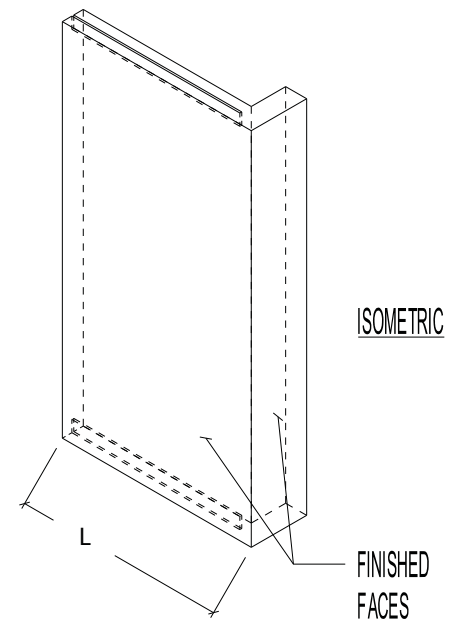
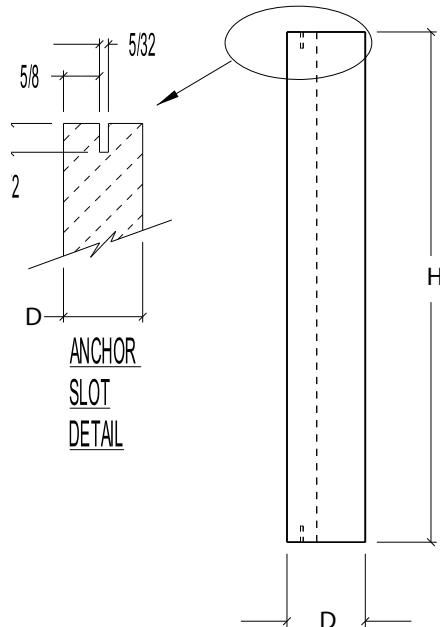
ARRIS•clip SOLDIERED



AVAILABLE SIZES:

HEIGHT (H)	LENGTH (L)	STD. DEPTH (D)	THICKNESS (T)
23-5/8"	3-5/8"	3-5/8"	1-3/8" or 2"
23-5/8"	7-5/8"	3-5/8"	1-3/8" or 2"
23-5/8"	11-5/8"	3-5/8"	1-3/8" or 2"

ARRIS•clip SOLDIERED RETURN



AVAILABLE SIZES:

HEIGHT (H)	LENGTH (L)	STD. DEPTH (D)	THICKNESS (T)
23-5/8"	7-5/8"	3-5/8"	1-3/8" or 2"
23-5/8"	10-7/8"	3-5/8"	1-3/8" or 2"

