

Design with freedom.



The Renaissance® Collection

 **Arriscraft**
Building Stone · Brick · Limestone

Why Renaissance®?



Robert D. Love Downtown YMCA - Wichita, KS | Schaefer Johnson Cox Frey Architecture | Sandrift Sandblasted

“ Arriscraft stone brings timeless elegance to our modern design. The best products, the best service, the best results.

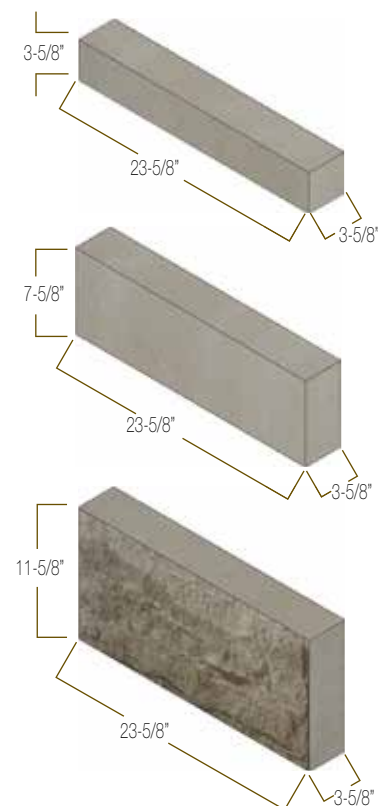
MILAN MALINOVIC, PRINCIPAL
Design Cooperative, LLC



Arriscraft Renaissance® Masonry Units offer architects, builders and property owners a premium stone with exceptional performance, beauty and flexibility. Our unique Natural Process technology mimics how stone is created in the earth – yielding cement-free stone products with the aesthetic, strength and durability benefits of quarried stone, plus cost effective installation.

Renaissance® units are offered in standard sizes and colors, yet offer tremendous flexibility through custom colors, blends, shapes and sizes - in rocked, smooth, satin, or sandblasted finishes. Discover the unparalleled beauty and design opportunities of Renaissance® Masonry Units, backed by an industry-unique lifetime product warranty.

Standard Masonry Units



NATURAL EDGE®

Our Natural Process technology replicates how stone is formed in the earth and creates products with the aesthetics and durability of quarried stone, plus the benefits of standard installation and unlimited supply.



SELECTION

Our comprehensive product range includes: the classic Renaissance® stone, a robust Building Stone collection, three versatile thin-clad options, various brick styles (including our long, contemporary option), Adair® limestone, and a full offering of cast accessories.



SOLUTIONS

We lead the industry in premier product support, including an extensive technical library, complimentary Masonry Envelope Review services, personal technical support, and renowned custom color and blend development. Our on-site technical services can provide historical matching, unique colors and custom blends, as required.



INNOVATION

Product innovation at Arriscraft continues to meet market demands for modern stone designs and lightweight, thin stone solutions, as well as matching processes to replicate historical stone as quarries close after decades of use. We also continuously improve our manufacturing process to lead the industry in green and sustainability initiatives.



EDUCATION

We educate daily through our technical support, AIA credit courses, and an ever-broadening information base. Our website offers high-res color sheets, data sheets, seamless texture images, a Building Stone Calculator, plus our growing blog of articles and tips. For decades we've provided complimentary mason training and student tours, and sponsored the University of Waterloo Architecture Lecture Series.

Color Selection

Renaissance® Masonry Units are available in a stunning range of natural standard colors. Arriscraft offers custom color development and also allows customers to create custom blends using different standard colors. With so much creative flexibility, Arriscraft can bring any design to life.

Because all Arriscraft products are manufactured to have through-body color, units can be cut, chiseled and dressed on-site. In addition, designers can order custom shapes and sizes to create truly unique projects.

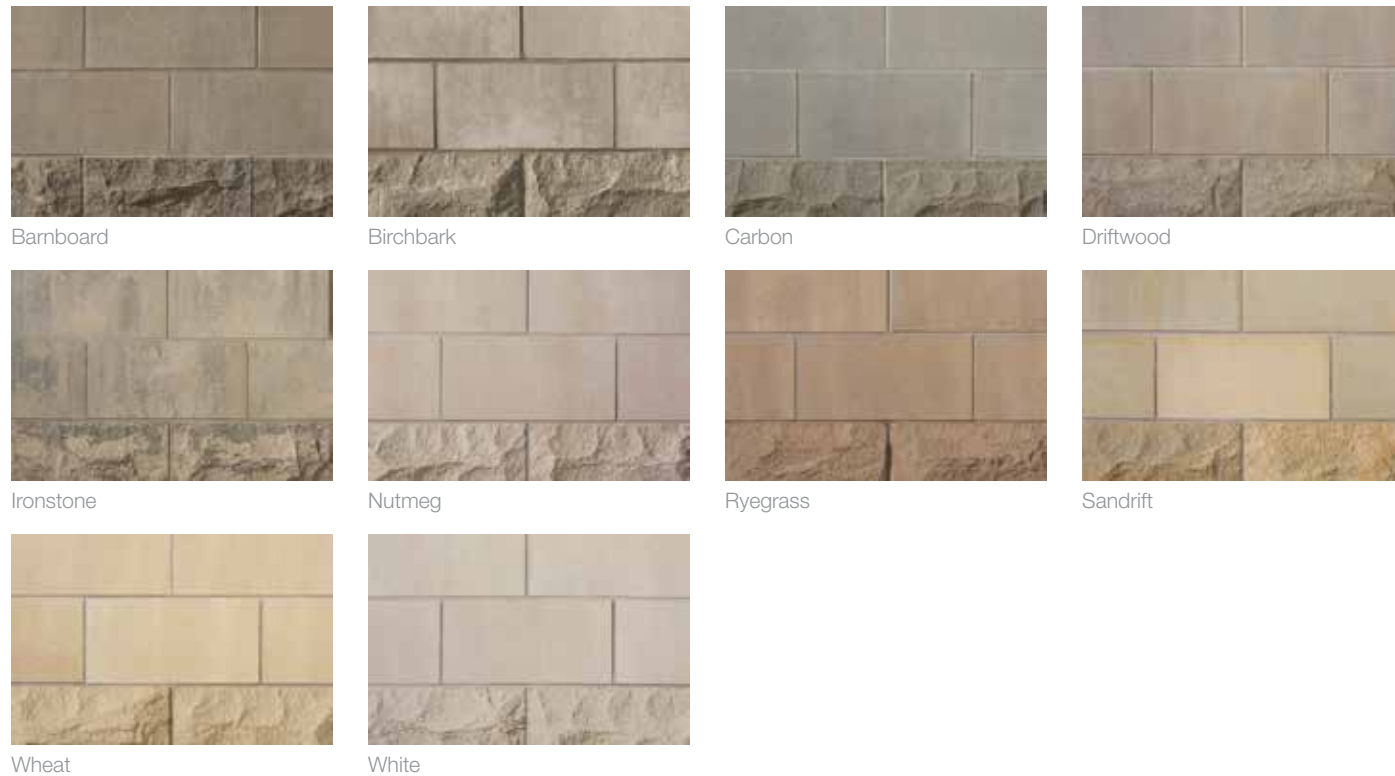


Rappahannock River Hall, CNU | Newport News, VA | Glave & Holmes Architecture | Wheat Rocked and Sandblasted

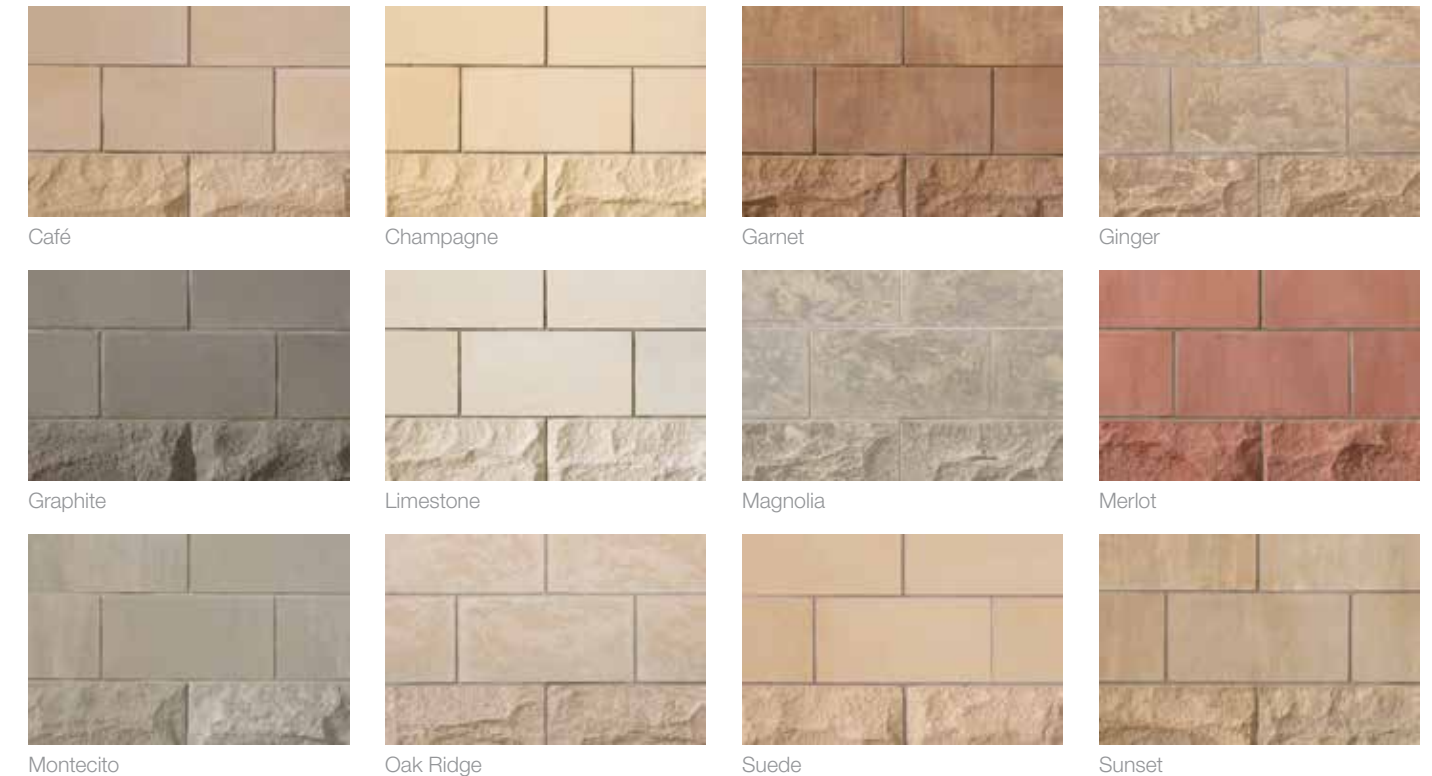


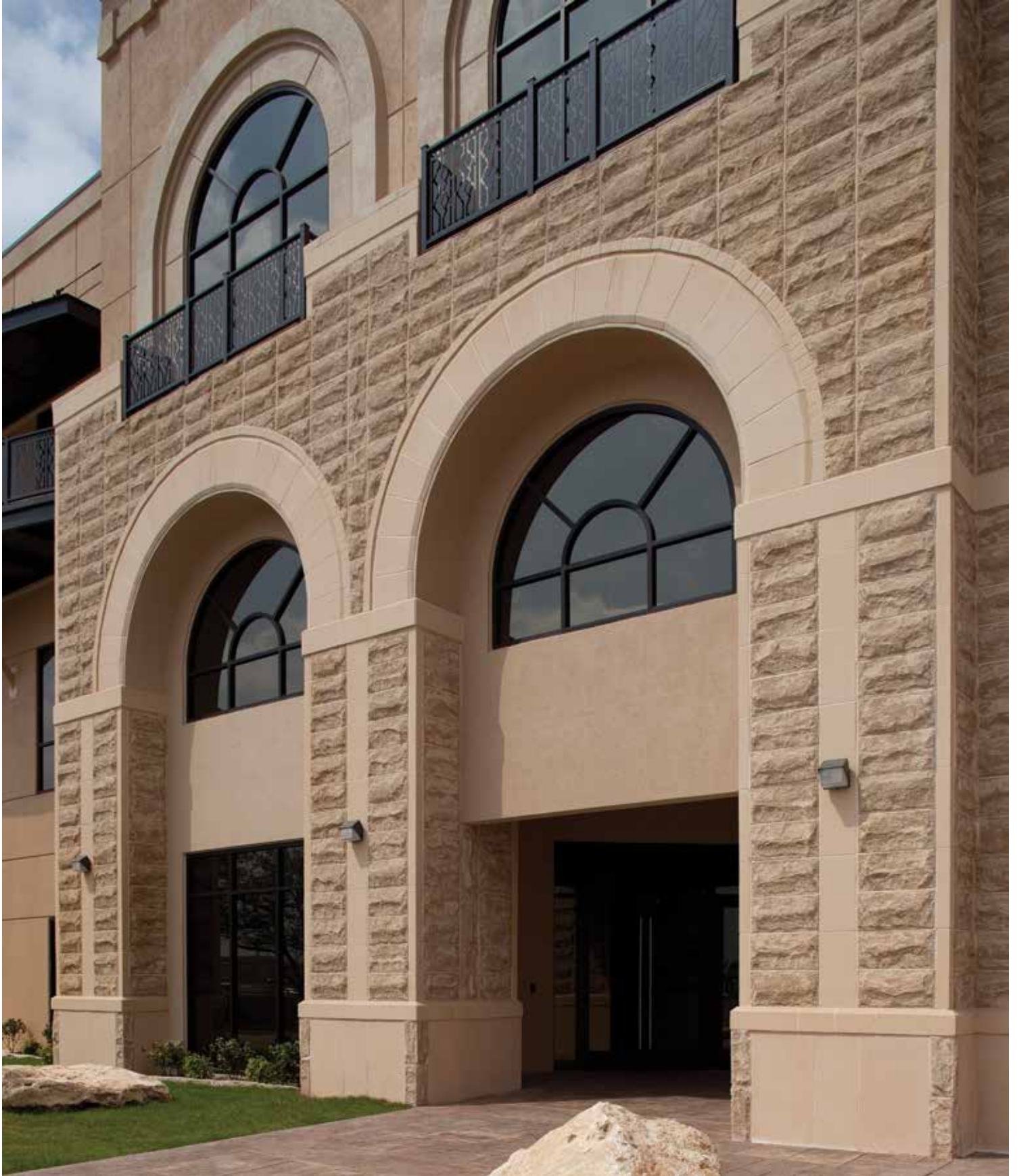
Upson County Regional Medical Center - Barnesville, GA | David A. Tyler | Café Smooth, Ginger Rocked

Cambridge ON Canada Colors



Fort Valley GA USA Colors





Falcon Bank - Laredo, TX | Redline Architecture | Ginger & Suede Rocked and Smooth

Versatile Design and Installation



Elle of Buckhead - Atlanta, GA | Niles Bolton Associates | Limestone Satin

Like any artist's raw material, Renaissance® puts design into your hands. Enjoy absolute flexibility with a stone product that you can shape, color, size, and install as you like. Here are a few examples of the creative options with Renaissance®.

Custom Colors

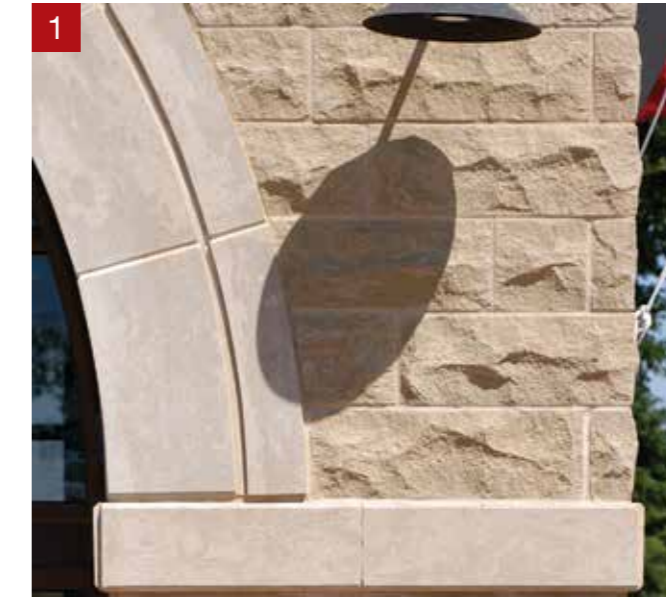
In addition to an array of standard colors, we can provide custom blends or entirely custom colors. This flexibility allows you to co-ordinate seamlessly with other structures and even match historical projects.

Installation Options

Standardized sizes allow for unique bond patterns, such as repeating or vertical installations, as well as traditional bond patterns.

Custom Shapes

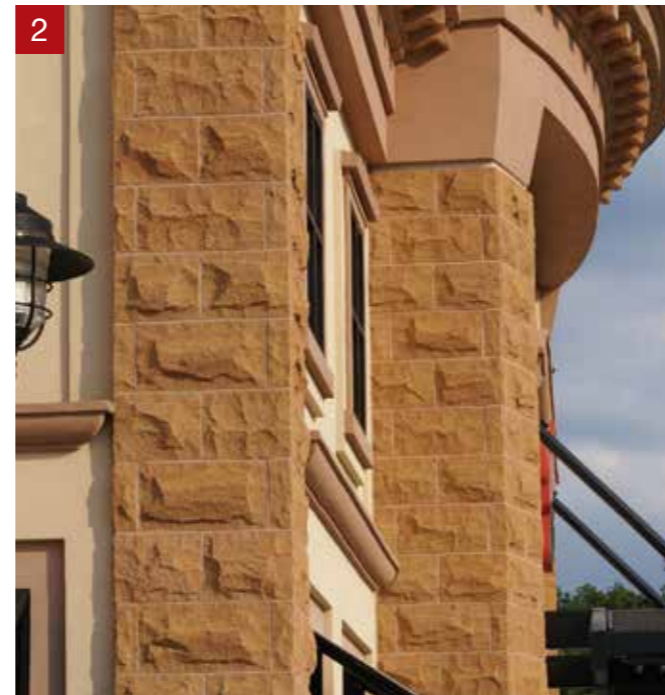
The through-body color and texture of Renaissance® stone makes shaping and detailing possible and is an ideal way to make designs absolutely unique. Custom shapes can be created on-site by the mason or on spec at our manufacturing facility.



Middle Tennessee Medical Center - Murfreesboro, TN | Gresham Smith and Partners | Custom Color Rocked

“ It's reached the point where one of the first things I ask myself when designing a project is 'Where can I put the (Arriscraft) Renaissance® stone?' It's such a high quality product that its presence in the project alone takes the user to another level.

L. MARK LOUDERMILK
Cline Design Associates



1. & 2. Colors were created to the architect's specification.

1. Stone installed in a vertical quarter bond pattern | 2. Blend of standard colors (Suede, Café, Garnet) installed in an ashlar pattern.

1. Custom Arch and Post units, Bullnose | 2. Bullnose and custom detail | 3. Notches to emulate large panels



Ellington Apartments - Markham, ON | LMA Architects | Nutmeg Custom Dressed Finish



Visions Healthcare - Boston, MA | SMOOK Architecture & Urban Design | Ginger Smooth and Suede Satin

About Arriscraft

Arriscraft manufactures a vast range of premium stone for commercial and residential projects, including full-bed Building Stone, Renaissance® Masonry Units, thin-clad adhered and clipped veneers, Adair® Limestone, and cast accessories.

Cambridge, Ontario Plant
875 Speedsville Road
Cambridge, Ontario, Canada
N3H 4S8

Toll Free: 800-265-8123
Email: solutions@arriscraft.com

Fort Valley, Georgia Plant
6054 Zenith Mill Road, Arriscraft Lane
Fort Valley, Georgia, USA
31030

Phone: 478-827-1896
Fax: 478-827-1897

IMPORTANT NOTES

Colors and textures have been reproduced as closely as the printing process allows. Final selection should be made from actual samples.

Renaissance® Masonry Units' compressive strength, durability and dimensional tolerances are within the range of those of quality limestone (ASTM C568) and sandstone products (ASTM C616).

Renaissance® Masonry Units meet the severe-weathering requirements of ASTM C73 for Calcium Silicate units.

Renaissance® Masonry Units must be installed using industry recommended materials and techniques and conform to all related building code requirements. All masonry products are intended for above-grade installations. Proper care, installation and cleaning are required for warranty validation. Please refer to Arriscraft•DATA Renaissance® Masonry Units and Arriscraft•CARE Storage and Handling at: www.arriscraft.com



Arriscraft is the stone products group of General Shale, the North American subsidiary of Wienerberger AG and a leading manufacturer of brick, one of the world's oldest green building materials.

www.arriscraft.com

B-US-REN 0818

ON THE COVER

Project: Black Sheep Restaurant - Jacksonville, FL
Architect: Design Cooperative, LLC
Color: Limestone Satin

FPO
FSC Logo

