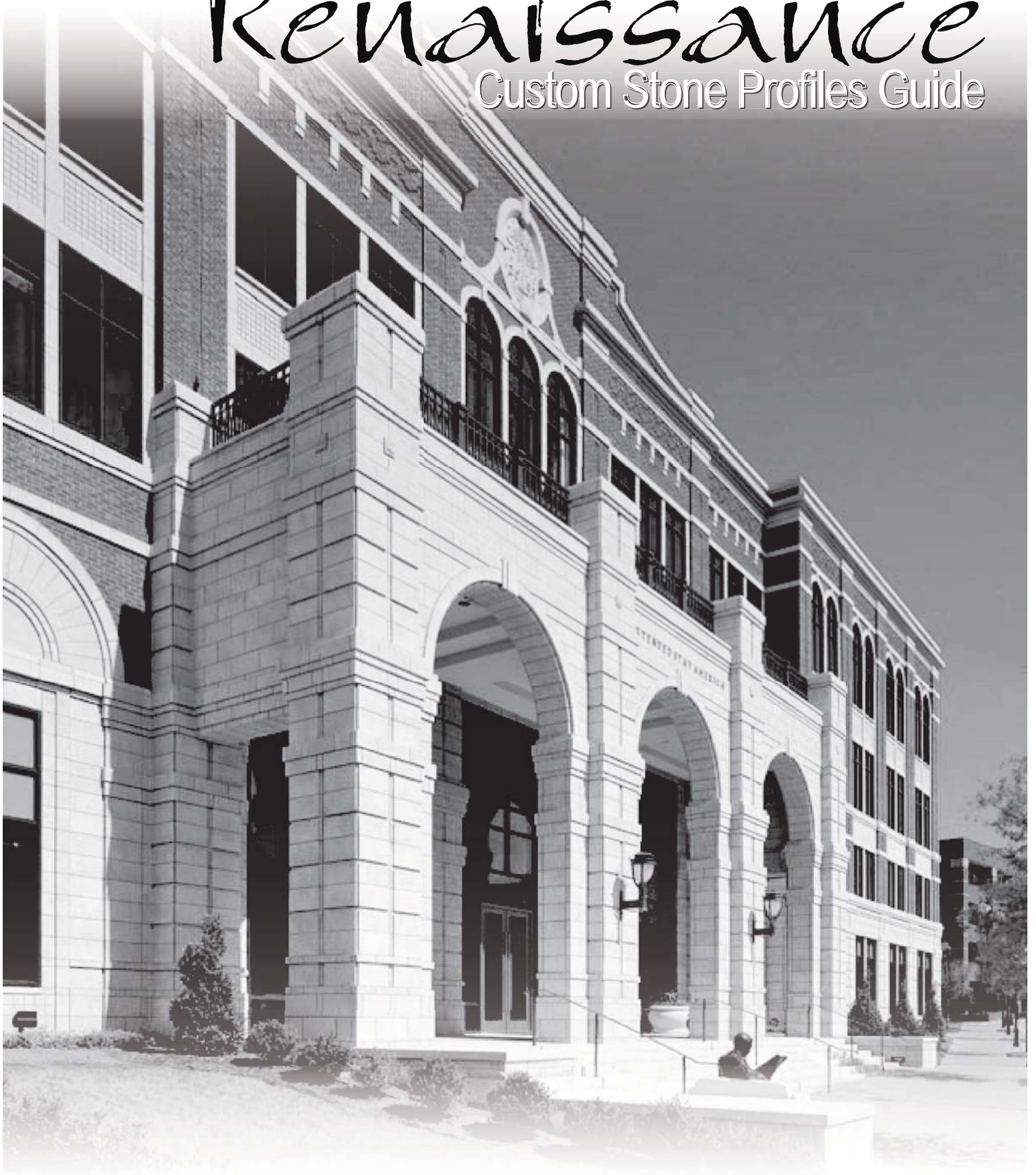


Renaissance[®]

Custom Stone Profiles Guide



Shapes and Sizes: Renaissance® Masonry Units are available in a variety of imperial standard sizes. (Metric sizes are also available from the Cambridge, Ontario manufacturing facility. Ask your local representative for details).

Code	Height	Length	Bed
RS358	3-5/8"	23-5/8"	3-5/8"
RS758	7-5/8"	23-5/8"	3-5/8"
RS115	11-5/8"	23-5/8"	3-5/8"

Renaissance® Masonry Units are also available in custom shapes and sizes, up to a maximum length of 23-5/8" and face rise of 11-5/8" Bed depths are limited to a maximum of 3-5/8" with rocked faced finishes and 4-5/8" with smooth faced finishes.

Larger components than illustrated in this guide may be available in our **ARRIS•cast** line of cast stone products. **ARRIS•cast** products are available from our Georgia facility. Contact your sales representative for further information.

General Notes: For applicable tolerances and further information refer to ARRISCRAFT.DATA 04230, for Renaissance® Masonry Units.

Certain applications may require an engineered anchoring system for support. Refer to ARRISCRAFT.NOTES, Connectors, Part I & II.

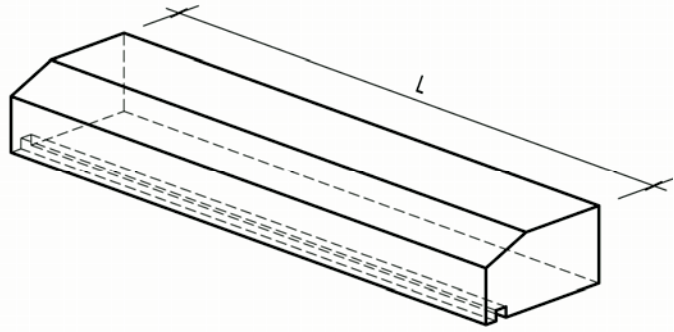
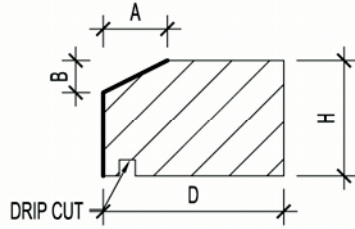
Renaissance® Masonry Units must be installed using industry recommended materials and techniques and conform to all related building requirements.

Proper care, installation and cleaning are required for warranty validation.

TABLE OF CONTENTS

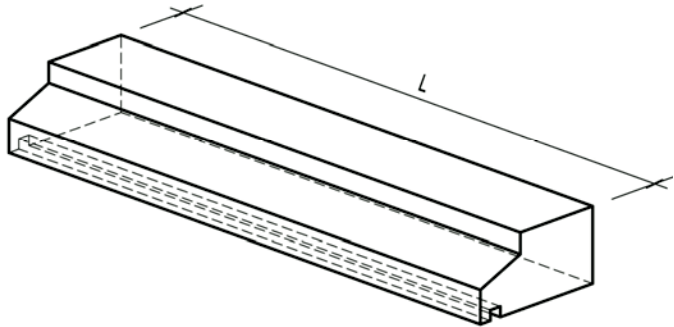
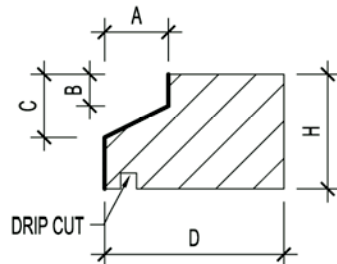
Sloped Sill/Watertable Stone Sloped/Notched Sill/Watertable.....	2
Bullnose Stone Band Bullnose Stone Sill.....	3
8" Bullnose Fascia Stone Band Assembly 8" Bullnose Fascia Stone Sill Assembly.....	4
8" Bullnose Assembly 8" Bullnose Stone Sill Assembly (with drip cut)	5
RS115 with False Joint RS758 with False Joint	6
Sample Combinations of Units with False Joints	7
Notched Units (One Long Edge) Chamfered Unit (One Long Edge)	8
Notched Unit (One Short Edge) Chamfered Unit (One Short Edge) Chamfered Unit (Two Long Edges)	9
Notched and Chamfered Unit (One Long Edge) Lipped Unit.....	10
Sample Combinations with Notched Units Sample Combinations with Chamfered Units	11
Quirk Mitered Corners Quirk Mitered Corners with Rocked Face	12
Sample Custom Stone Medallions	13
Sample Custom Stone Window Surrounds	14
End Finishing	15
End Finishing – Typical Applications.....	16

SLOPED SILL/WATERTABLE STONE



HEIGHT (H)	DEPTH (D)	STD. LENGTH (L)	SLOPE DIMENSIONS	
			A	B
2 1/4"	11" MAX.	23 5/8"	SPECIFY	SPECIFY
3 5/8"	5 5/8"	23 5/8"	2"	1"
3 5/8"	7 5/8"	23 5/8"	4"	1"
3 5/8"	11" MAX.	23 5/8"	SPECIFY	SPECIFY
4 5/8"	11" MAX.	23 5/8"	SPECIFY	SPECIFY
5 1/4"	7" MAX.	23 5/8"	SPECIFY	SPECIFY
5 1/2"	11" MAX.	23 5/8"	SPECIFY	SPECIFY

SLOPED/NOTCHED SILL/WATERTABLE

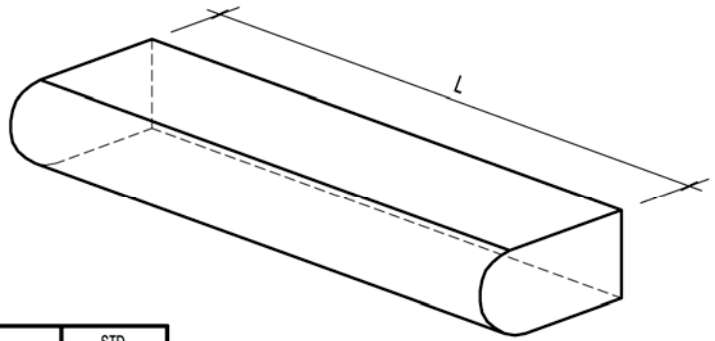
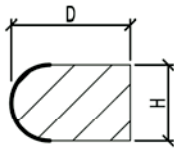


HEIGHT (H)	DEPTH (D)	STD. LENGTH (L)	SLOPE DIMENSIONS		
			A	B	C
3 5/8"	11" MAX.	23 5/8"	SPECIFY	SPECIFY	SPECIFY
4 5/8"	11" MAX.	23 5/8"	SPECIFY	SPECIFY	SPECIFY
5 1/4"	7" MAX.	23 5/8"	SPECIFY	SPECIFY	SPECIFY
5 1/2"	11" MAX.	23 5/8"	SPECIFY	SPECIFY	SPECIFY

NOTES

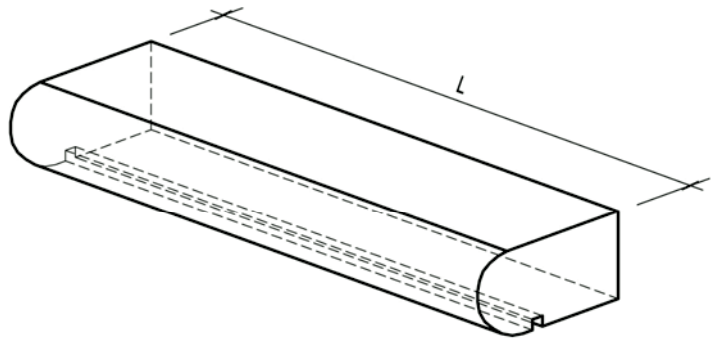
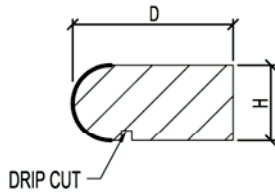
- All units are fabricated from standard Renaissance® Masonry Units (slopes are smooth sawn).
- Corner units are available and are 3/8" under length due to finished return.
- Units are shown as smooth texture but are available with rocked texture on the face.
- Custom heights up to 5-1/2" are available. Please consult with Arriscraft Technical Services.
- Heavy lines indicate finished faces.

BULLNOSE STONE BAND



HEIGHT (H)	DEPTH (D)	STD. LENGTH (L)
2 1/4"	11 1/2" MAX.	23 5/8"
3 5/8"	5 5/8"	23 5/8"
3 5/8"	7 5/8"	23 5/8"
3 5/8"	11 1/2" MAX.	23 5/8"
4 5/8"	11 1/2" MAX.	23 5/8"
5 1/4"	7 1/2" MAX.	23 5/8"
5 1/2"	11 1/2" MAX.	23 5/8"

**BULLNOSE STONE SILL
(WITH DRIP CUT)**

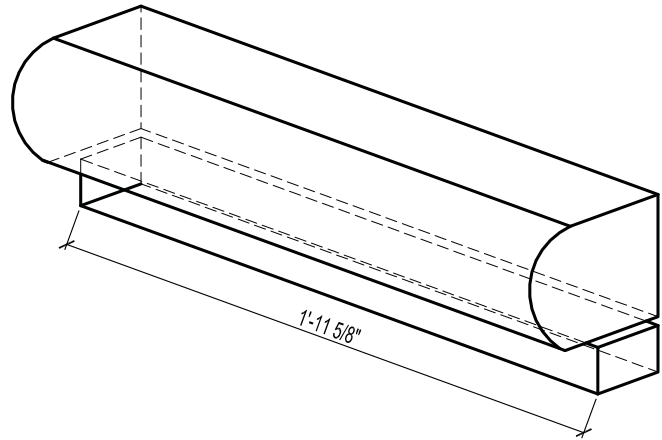
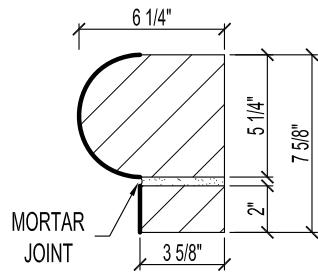


HEIGHT (H)	DEPTH (D)	STD. LENGTH (L)
2 1/4"	11 1/2" MAX.	23 5/8"
3 5/8"	5 5/8"	23 5/8"
3 5/8"	7 5/8"	23 5/8"
3 5/8"	11 1/2" MAX.	23 5/8"
4 5/8"	11 1/2" MAX.	23 5/8"
5 1/4"	7 1/2" MAX.	23 5/8"
5 1/2"	11 1/2" MAX.	23 5/8"

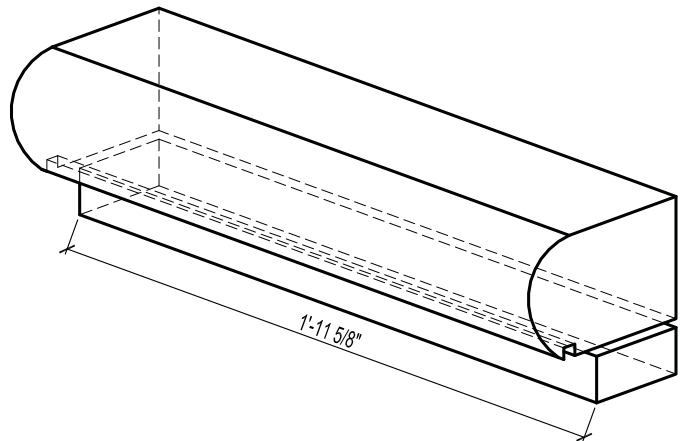
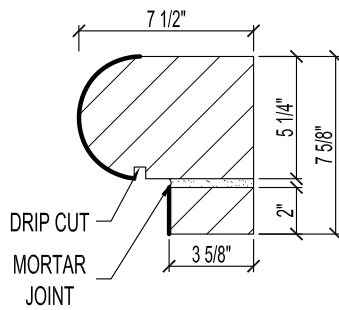
NOTES

- All units are fabricated from standard Renaissance® Masonry Units.
- Drip cuts are recommended when stone is used in a sill condition.
- Corner units are available and are 3/8" under length due to finished return.
- Units are available in smooth texture only.
- Custom heights up to 5-1/2" are available. Please consult with Arriscraft Technical Services.
- Heavy lines indicate finished faces.

8" BULLNOSE FASCIA STONE BAND ASSEMBLY



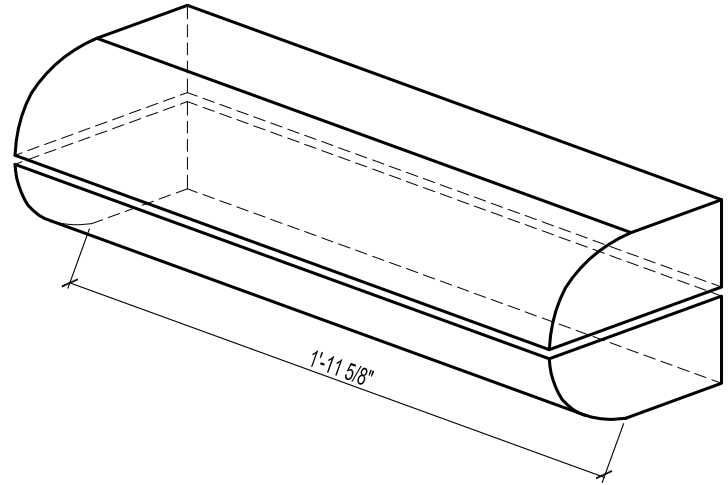
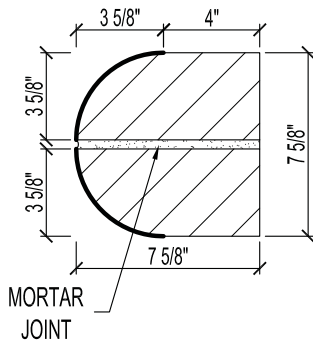
8" BULLNOSE FASCIA STONE SILL ASSEMBLY (WITH DRIP CUT)



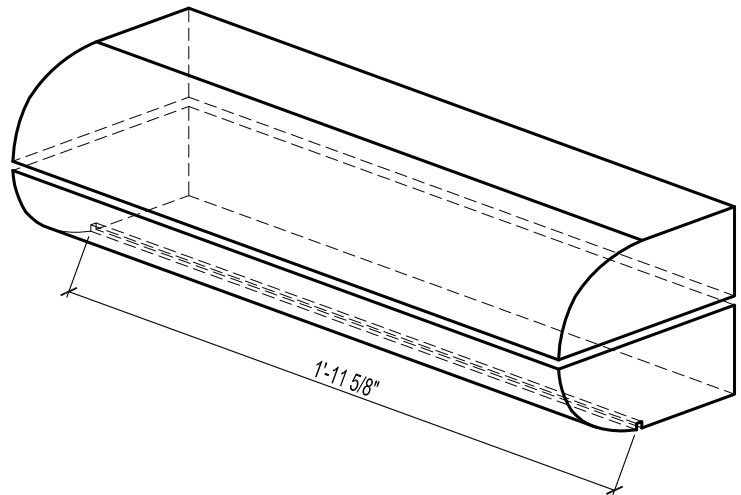
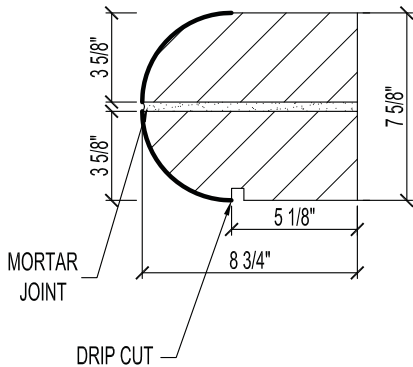
NOTES

- All units are fabricated from standard Renaissance® Masonry Units.
- Drip cuts are recommended when stone is used in a sill condition.
- Corner units are available and are 3/8" under length due to finished return.
- Units are available in smooth texture only.
- Heavy lines indicate finished faces.

8" BULLNOSE ASSEMBLY



8" BULLNOSE STONE SILL ASSEMBLY (WITH DRIP CUT)

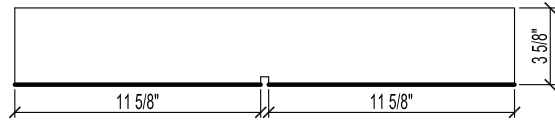


NOTES

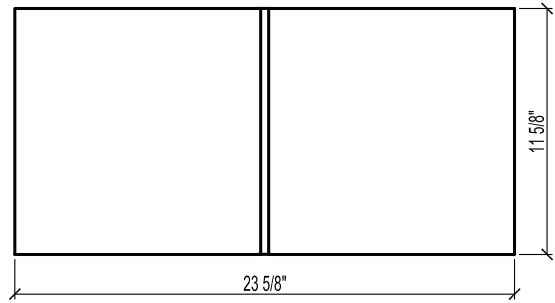
- All units are manufactured from standard Renaissance® Masonry Units.
- Drip cuts are recommended when stone is used in a sill condition.
- Corner units are available and are 3/8" under length due to finished return.
- Units are available in smooth texture only.
- Custom depths are available. Please consult with technical services.
- Heavy lines indicate finished faces.

RS115 WITH FALSE JOINT

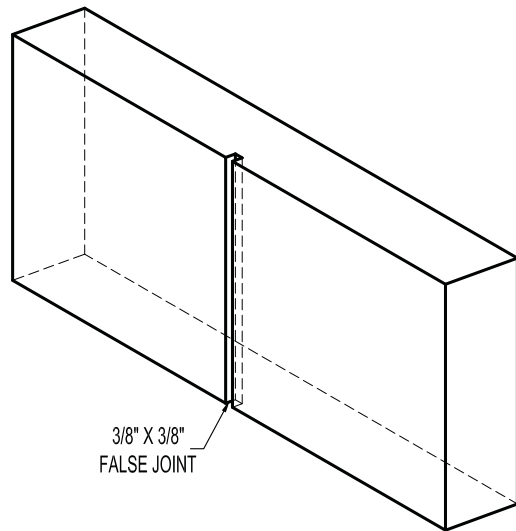
(INSTALLS AS ONE UNIT, APPEARS AS 2 - 12"X12" UNITS)



PLAN VIEW

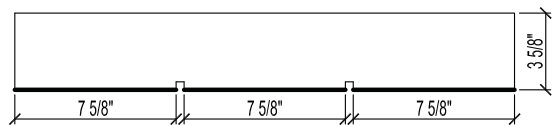


ELEVATION

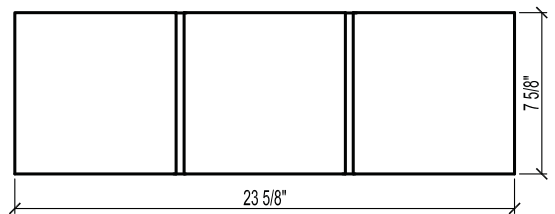


RS758 WITH FALSE JOINTS

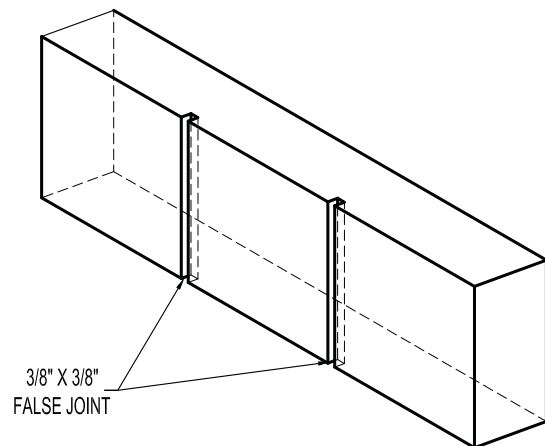
(INSTALLS AS ONE UNIT, APPEARS AS 3 - 8"X8" UNITS)



PLAN VIEW



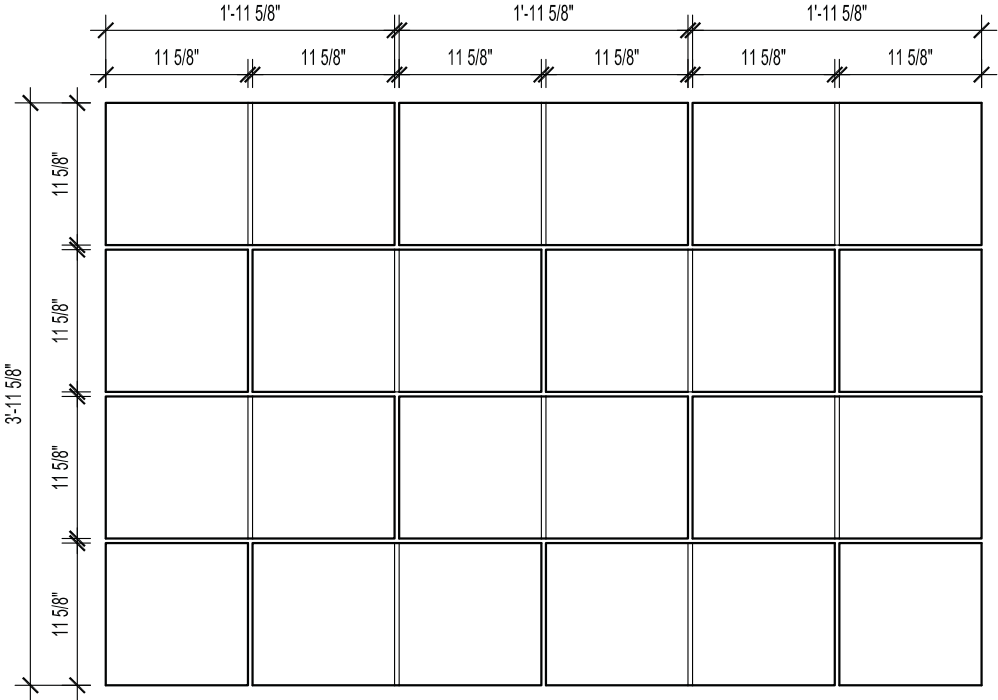
ELEVATION



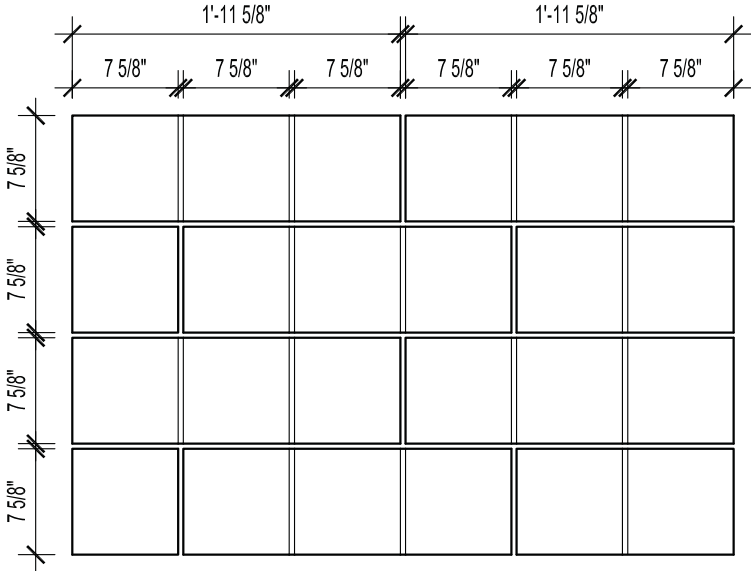
NOTES

- All units are fabricated from standard Renaissance® Masonry Units (false joints are sawn).
- Units are not available in rocked face finish.

SAMPLE COMBINATIONS OF UNITS WITH FALSE JOINTS



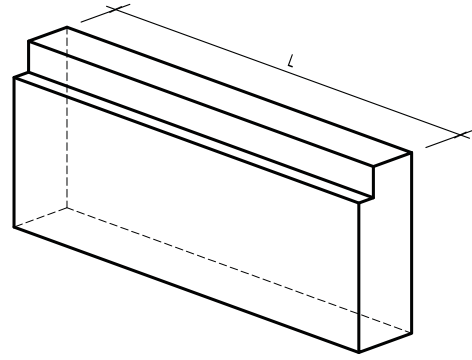
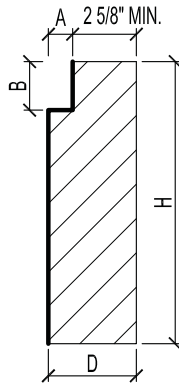
RS115 SCORED TO 12"x12" WITH 1/2 BOND



RS758 SCORED TO 8"x8" WITH 1/3 BOND

NOTCHED UNIT

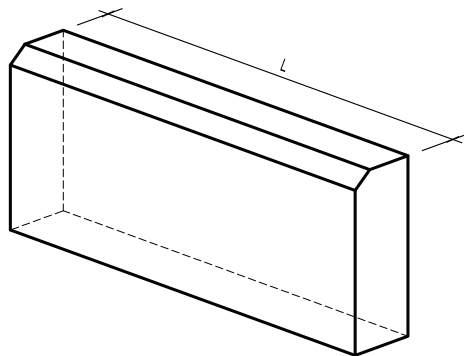
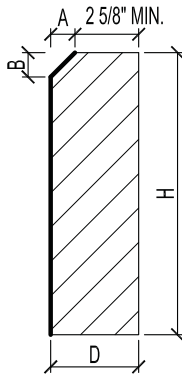
(ONE LONG EDGE)



HEIGHT (H)	DEPTH (D)	STD. LENGTH (L)	NOTCH DIMENSION	
			A	B
3 5/8"	3 5/8"	23 5/8"	< 1"	< 2"
3 5/8"	4 5/8"	23 5/8"	< 2"	< 2"
7 5/8"	3 5/8"	23 5/8"	< 1"	< 2"
7 5/8"	4 5/8"	23 5/8"	< 2"	< 2"
11 5/8"	3 5/8"	23 5/8"	< 1"	< 2"
11 5/8"	4 5/8"	23 5/8"	< 2"	< 2"

CHAMFERED UNIT

(ONE LONG EDGE)



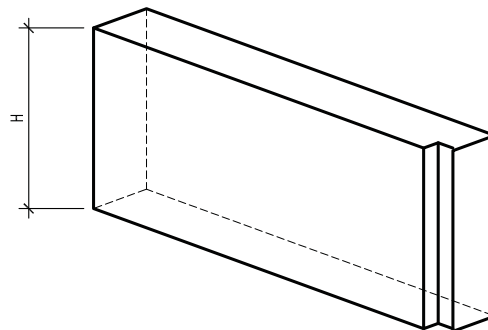
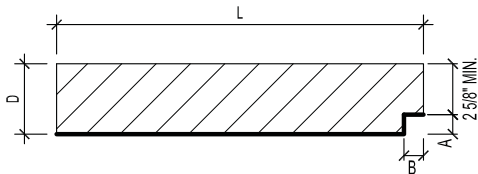
HEIGHT (H)	DEPTH (D)	STD. LENGTH (L)	CHAMFER DIMENSION	
			A	B
3 5/8"	3 5/8"	23 5/8"	< 1"	< 2"
3 5/8"	4 5/8"	23 5/8"	< 2"	< 2"
7 5/8"	3 5/8"	23 5/8"	< 1"	< 2"
7 5/8"	4 5/8"	23 5/8"	< 2"	< 2"
11 5/8"	3 5/8"	23 5/8"	< 1"	< 2"
11 5/8"	4 5/8"	23 5/8"	< 2"	< 2"

NOTES

- All chamfers/notches are fabricated and are a smooth sawn finish.
- Corner units are available and are 3/8" under length due to finished return.
- All standard textures are available.
- Custom heights are available. Please consult with Arriscraft Technical Services.
- 4-5/8" depths are not available in Rocked Finish
- Heavy lines indicate finished faces.

NOTCHED UNIT

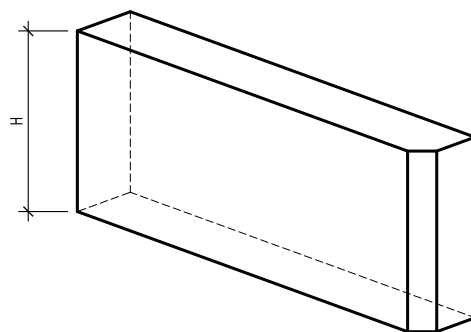
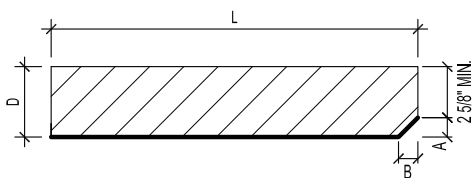
(ONE SHORT EDGE)



HEIGHT (H)	DEPTH (D)	STD. LENGTH (L)	NOTCH DIMENSION	
			A	B
3 5/8"	3 5/8"	23 5/8"	< 1"	< 2"
3 5/8"	4 5/8"	23 5/8"	< 2"	< 2"
7 5/8"	3 5/8"	23 5/8"	< 1"	< 2"
7 5/8"	4 5/8"	23 5/8"	< 2"	< 2"
11 5/8"	3 5/8"	23 5/8"	< 1"	< 2"
11 5/8"	4 5/8"	23 5/8"	< 2"	< 2"

CHAMFERED UNIT

(ONE SHORT EDGE)



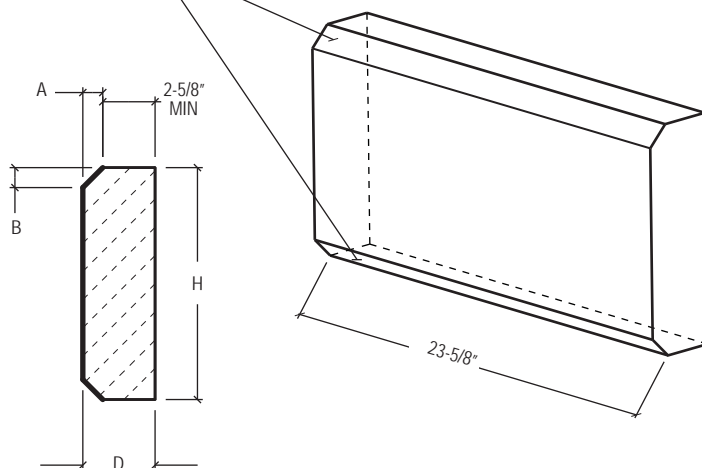
HEIGHT (H)	DEPTH (D)	STD. LENGTH (L)	CHAMFER DIMENSION	
			A	B
3 5/8"	3 5/8"	23 5/8"	< 1"	< 2"
3 5/8"	4 5/8"	23 5/8"	< 2"	< 2"
7 5/8"	3 5/8"	23 5/8"	< 1"	< 2"
7 5/8"	4 5/8"	23 5/8"	< 2"	< 2"
11 5/8"	3 5/8"	23 5/8"	< 1"	< 2"
11 5/8"	4 5/8"	23 5/8"	< 2"	< 2"

CHAMFERED UNIT

(TWO LONG EDGES)

HEIGHT (H)	DEPTH (D)	STD. LENGTH (L)	CHAMFER DIMENSION	
			A	B
3 5/8"	3 5/8"	23 5/8"	< 1"	< 2"
3 5/8"	4 5/8"	23 5/8"	< 2"	< 2"
7 5/8"	3 5/8"	23 5/8"	< 1"	< 2"
7 5/8"	4 5/8"	23 5/8"	< 2"	< 2"
11 5/8"	3 5/8"	23 5/8"	< 1"	< 2"
11 5/8"	4 5/8"	23 5/8"	< 2"	< 2"

SMOOTH
SAWN
CHAMFERS

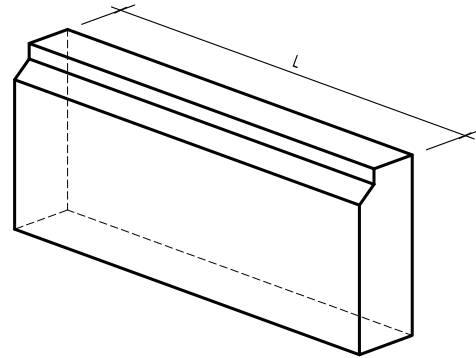
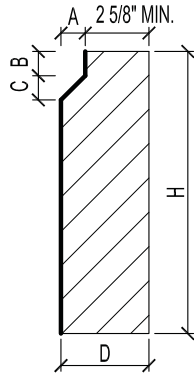


NOTES

- All chamfers/notches are fabricated and are a smooth sawn finish.
- Corner units are available and are 3/8" under length due to finished return.
- All standard textures are available.
- Custom heights are available. Please consult with Arriscraft Technical Services.
- 4-5/8" depths are not available in Rocked Finish.
- Heavy lines indicate finished faces.

NOTCHED AND CHAMFERED UNIT

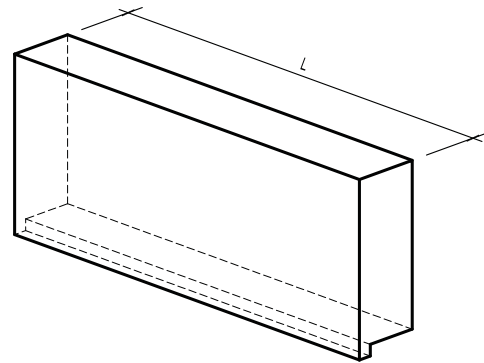
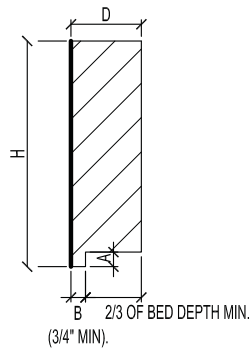
(ONE LONG EDGE)



HEIGHT (H)	DEPTH (D)	STD. LENGTH (L)	NOTCH DIMENSION		
			A	B	C
3 5/8"	3 5/8"	23 5/8"	SPECIFY	SPECIFY	SPECIFY
3 5/8"	4 5/8"	23 5/8"	SPECIFY	SPECIFY	SPECIFY
7 5/8"	3 5/8"	23 5/8"	SPECIFY	SPECIFY	SPECIFY
7 5/8"	4 5/8"	23 5/8"	SPECIFY	SPECIFY	SPECIFY
11 5/8"	3 5/8"	23 5/8"	SPECIFY	SPECIFY	SPECIFY
11 5/8"	4 5/8"	23 5/8"	SPECIFY	SPECIFY	SPECIFY

LIPPED UNIT

(TO HIDE STRUCTURAL STEEL SHELF ANGLES AND LINTELS)

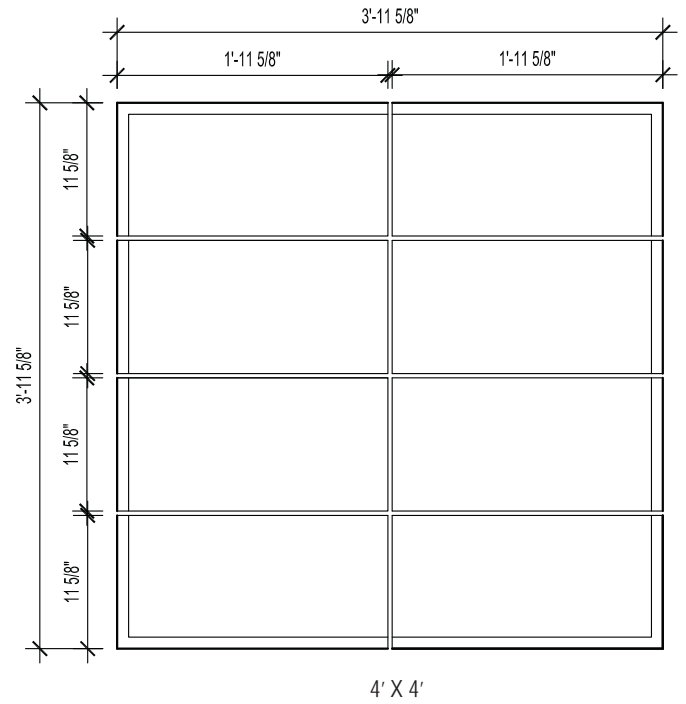
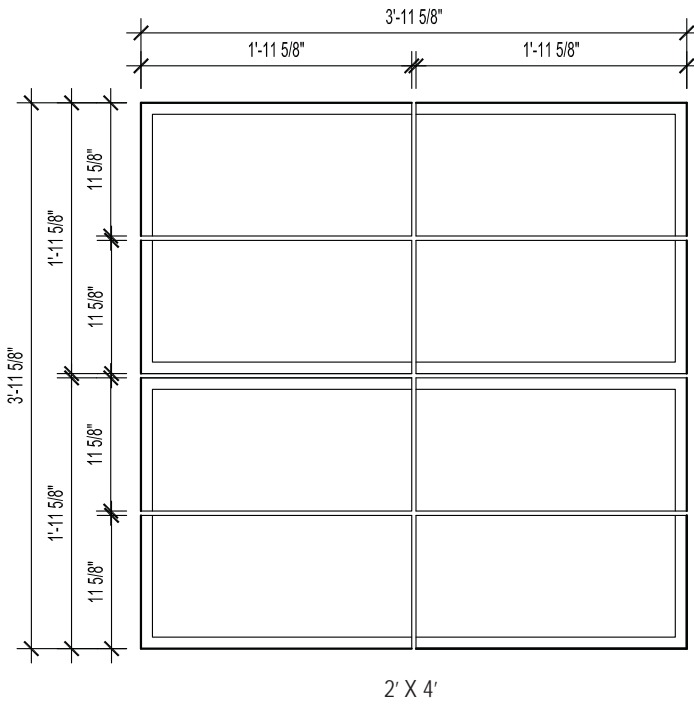


HEIGHT (H)	DEPTH (D)	STD. LENGTH (L)	LIP DIMENSION	
			A	B
3 5/8"	3 5/8"	23 5/8"	SPECIFY	SPECIFY
3 5/8"	4 5/8"	23 5/8"	SPECIFY	SPECIFY
7 5/8"	3 5/8"	23 5/8"	SPECIFY	SPECIFY
7 5/8"	4 5/8"	23 5/8"	SPECIFY	SPECIFY
11 5/8"	3 5/8"	23 5/8"	SPECIFY	SPECIFY
11 5/8"	4 5/8"	23 5/8"	SPECIFY	SPECIFY

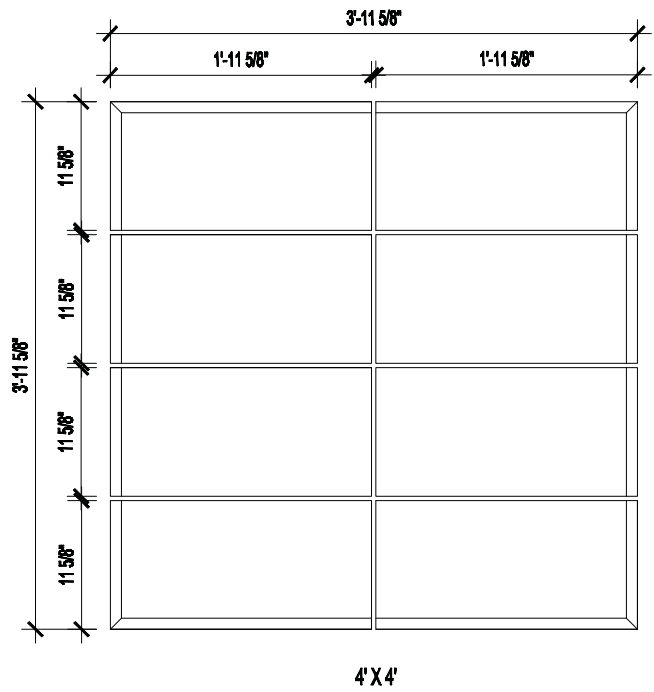
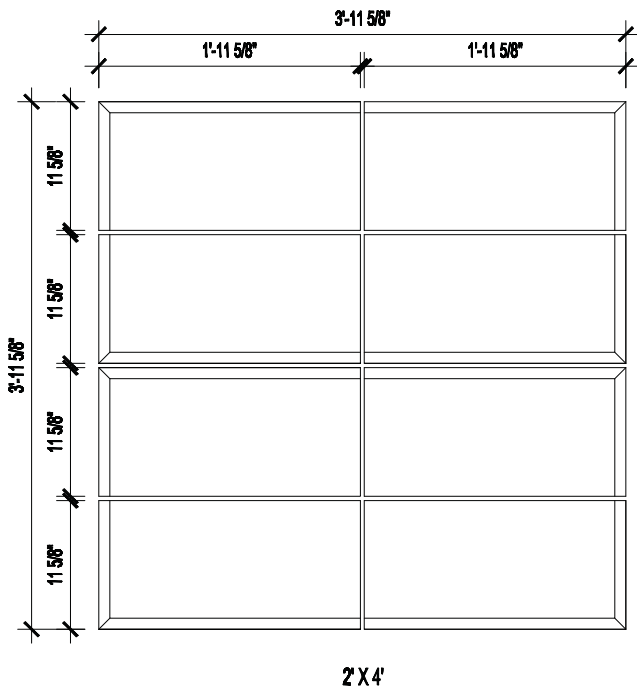
NOTES

- All chamfers/notches are fabricated and are a smooth sawn finish.
- Corner units are available and are 3/8" under length due to finished return.
- All standard textures are available.
- Custom heights are available. Please consult with Arriscraft Technical Services.
- 4-5/8" depths are not available in Rocked Finish
- Heavy lines indicate finished faces.

SAMPLE COMBINATIONS WITH NOTCHED UNITS

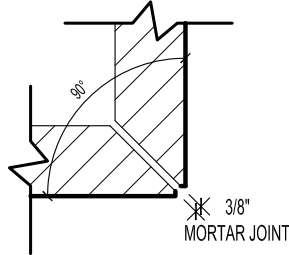
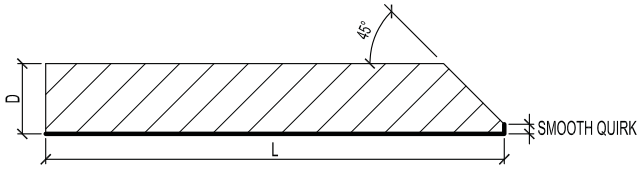


SAMPLE COMBINATIONS WITH CHAMFERED UNITS

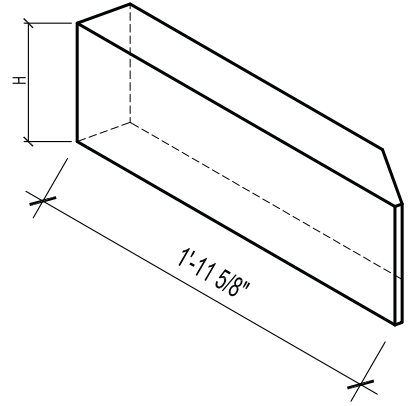


NOTES:
Heavy lines indicate finished faces

QUIRK MITERED CORNERS

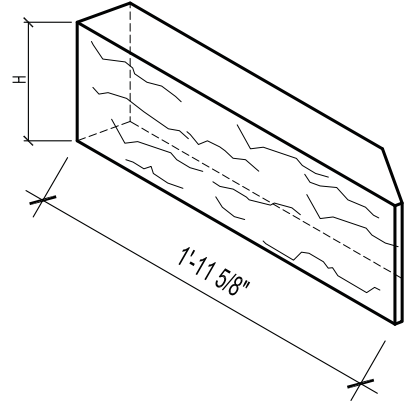
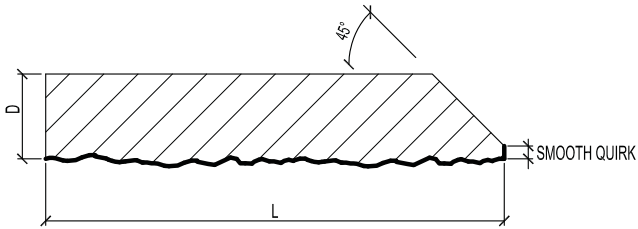


ASSEMBLED
CORNER (ON INSTALLATION)



HEIGHT (H)	DEPTH (D)	LENGTH (L)	QUIRK	ANGLE
3 5/8"	3 5/8"	23 5/8"	3/8"	45°
3 5/8"	3 5/8"	SPECIFY	SPECIFY	SPECIFY
7 5/8"	3 5/8"	23 5/8"	3/8"	45°
7 5/8"	3 5/8"	SPECIFY	SPECIFY	SPECIFY
11 5/8"	3 5/8"	23 5/8"	3/8"	45°
11 5/8"	3 5/8"	SPECIFY	SPECIFY	SPECIFY

QUIRK MITERED CORNER WITH ROCKED FACE

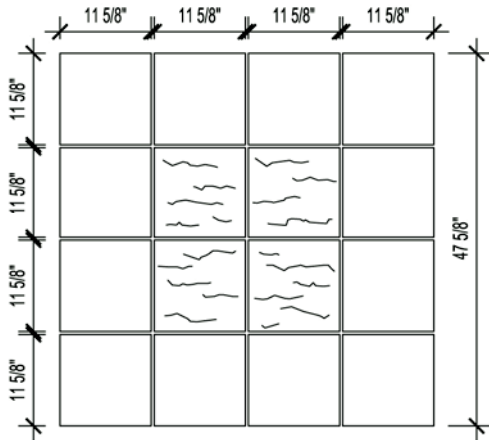


HEIGHT (H)	DEPTH (D)	LENGTH (L)	QUIRK	ANGLE
3 5/8"	3 5/8"	23 5/8"	3/8"	45°
3 5/8"	3 5/8"	SPECIFY	SPECIFY	SPECIFY
7 5/8"	3 5/8"	23 5/8"	3/8"	45°
7 5/8"	3 5/8"	SPECIFY	SPECIFY	SPECIFY
11 5/8"	3 5/8"	23 5/8"	3/8"	45°
11 5/8"	3 5/8"	SPECIFY	SPECIFY	SPECIFY

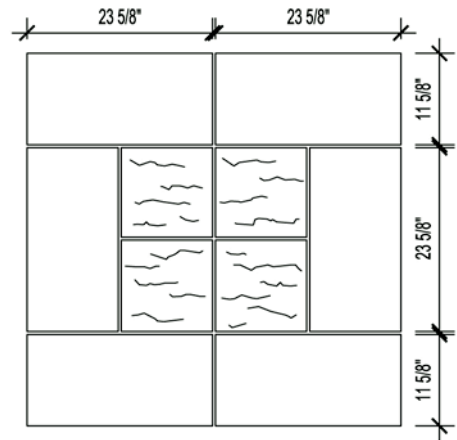
NOTES

- Angles other than 90° are available.
- All standard textures are available.
- Custom angles and heights are available. Please consult with Arriscraft Technical Services.
- 4-5/8" depths are not available in rocked finishes.
- Heavy lines indicate finished faces.

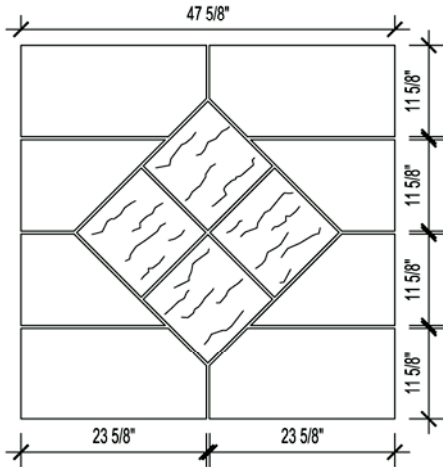
SAMPLE CUSTOM STONE "MEDALLIONS" OR FEATURES



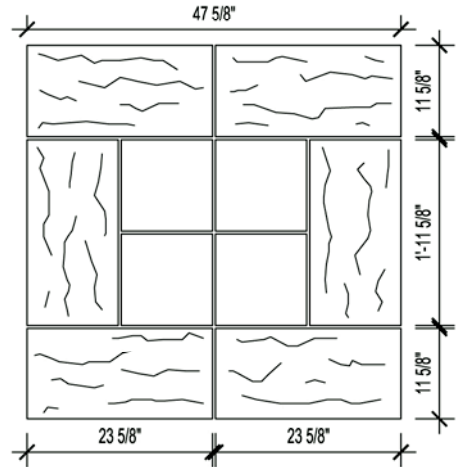
A



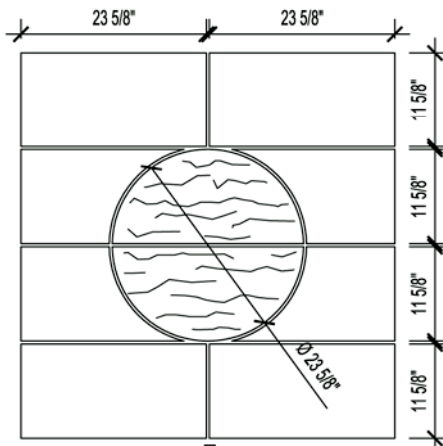
B



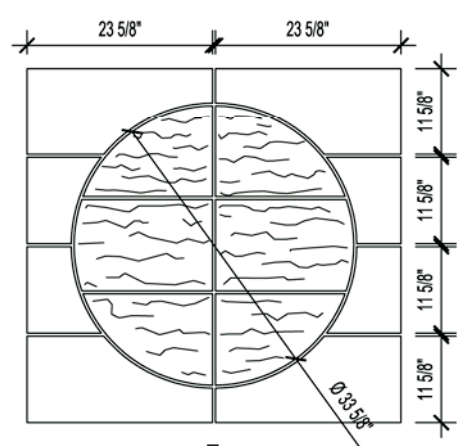
C



D



E

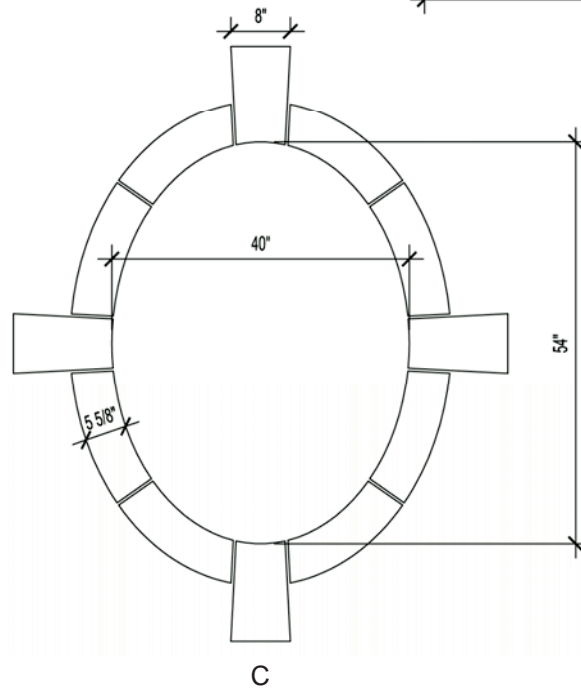
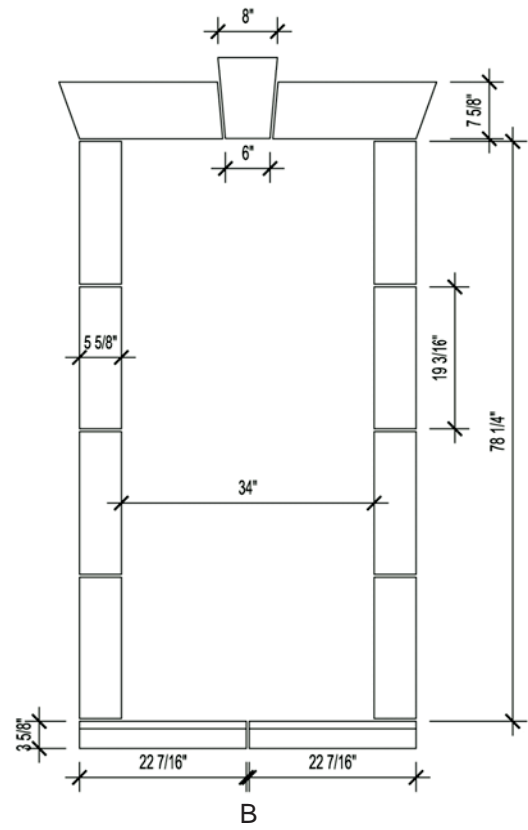
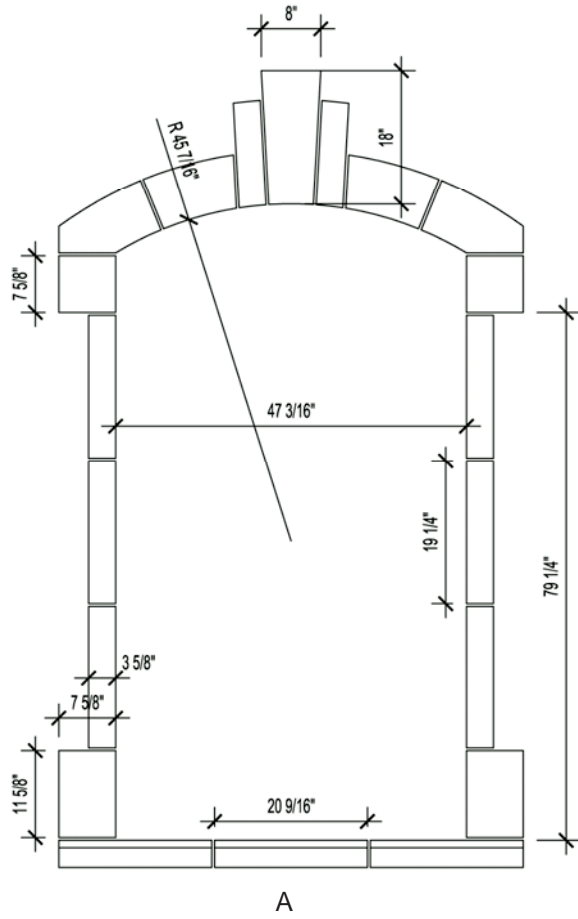


F

NOTES

- All medallions are custom. These are samples only.
- Please consult with Arriscraft Technical Services for assistance with your particular design.

SAMPLE CUSTOM STONE WINDOW SURROUNDS

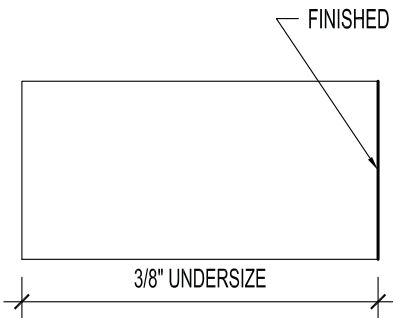
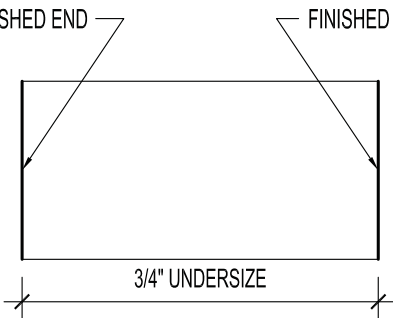
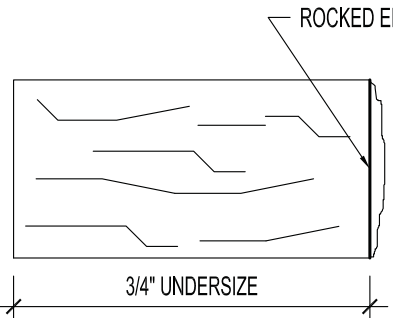
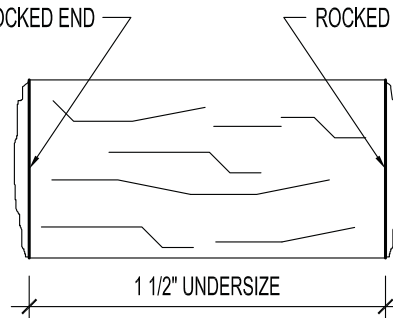


NOTES

- All window surrounds are custom. These are samples only.
- Please consult with Arriscraft Technical Services for assistance with your particular design.

RENAISSANCE® STONE - END (HEAD) FINISHING

THE ENDS (OR HEADS) OF STONES THAT ARE VISIBLE, SUCH AS AT CORNER CONDITIONS, CAN BE ORDERED WITH A FACTORY PREPARED FINISH. THIS FINISH PROCESS REDUCES THE LENGTH OF FULL LENGTH (23 5/8" LONG) STONE AS SHOWN BELOW.

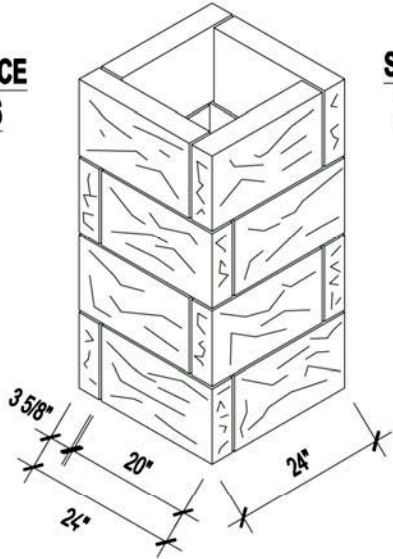
FINISH (PLANT)	ONE FINISHED END	TWO FINISHED ENDS
SANDBLASTED (CAMBRIDGE) & SMOOTH (GEORGIA)	 <p style="text-align: center;">3/8" UNDERSIZE</p> <p style="text-align: center; font-size: small;">* APPLIES WHEN PIECES ARE ORDERED WITH FINISHED ENDS. APPROX 15% OF REGULAR PIECES ARE ALWAYS SUPPLIED WITH SMOOTH ENDS.</p>	 <p style="text-align: center;">3/4" UNDERSIZE</p>
ROCKED (CAMBRIDGE) & (GEORGIA)	 <p style="text-align: center;">3/4" UNDERSIZE</p>	 <p style="text-align: center;">1 1/2" UNDERSIZE</p>

NOTES

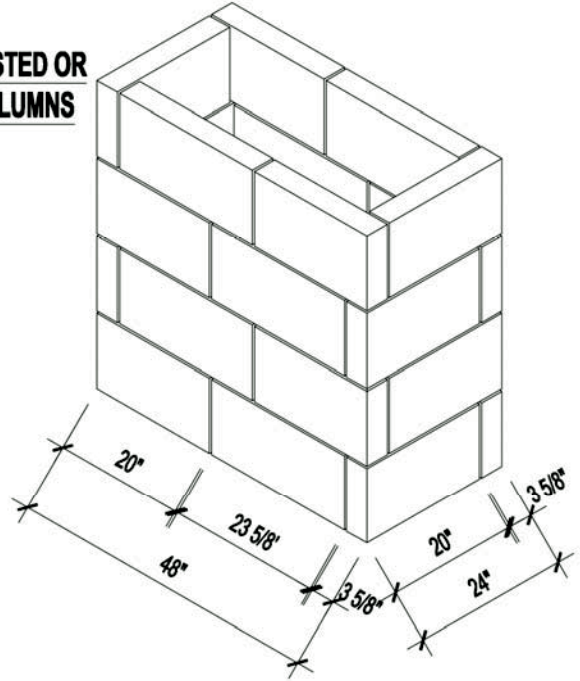
- Custom Heights are available. Please consult with Arriscraft Technical Services.
- 4-5/8" depths are not available in rocked finishes.

END (HEAD) FINISHING - TYPICAL APPLICATIONS

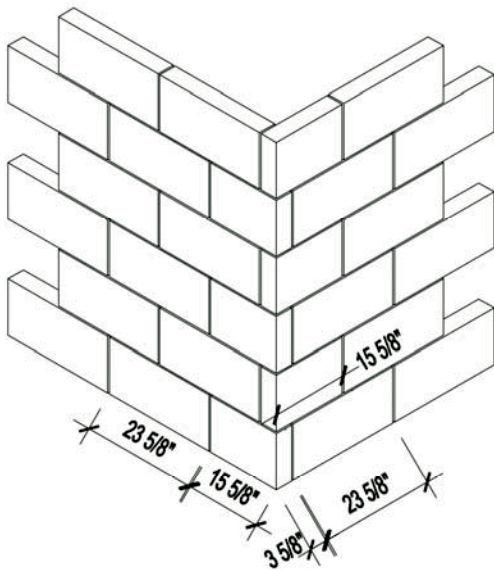
**ROCKED FACE
COLUMNS**



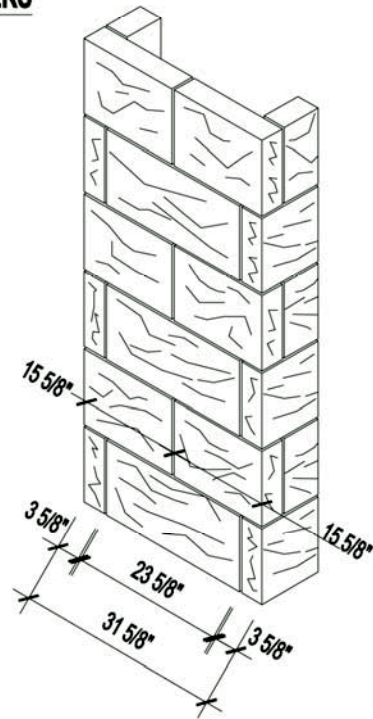
**SMOOTH, SANDBLASTED OR
DRESSED FACE COLUMNS**



**CORNER
CONDITIONS**



PILASTERS



NOTES:



www.arriscraft.com

techservices@arriscraft.com

1.800.265.8123

